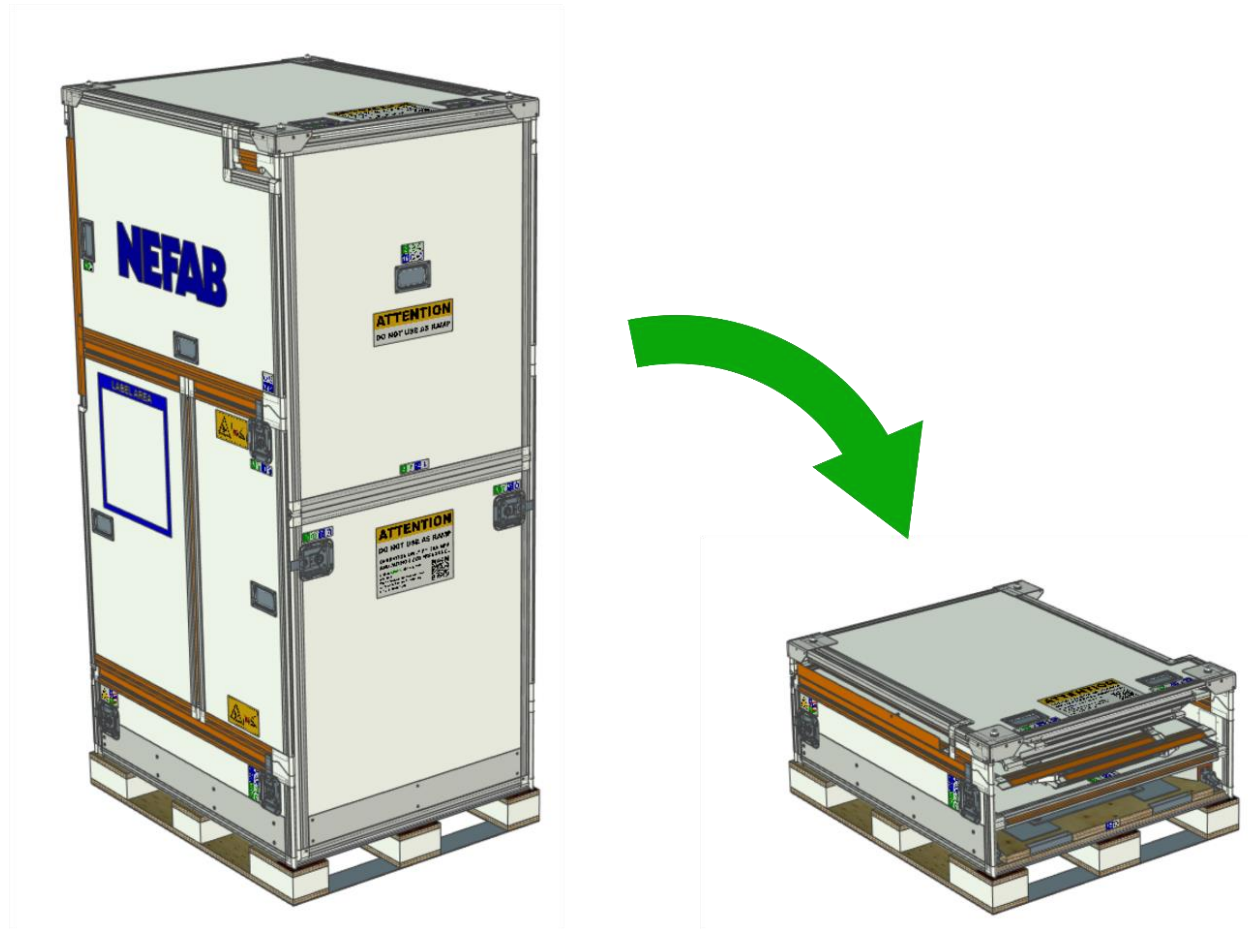


RACKPAK FOLDING INSTRUCTIONS



VERSION 2020-06-16

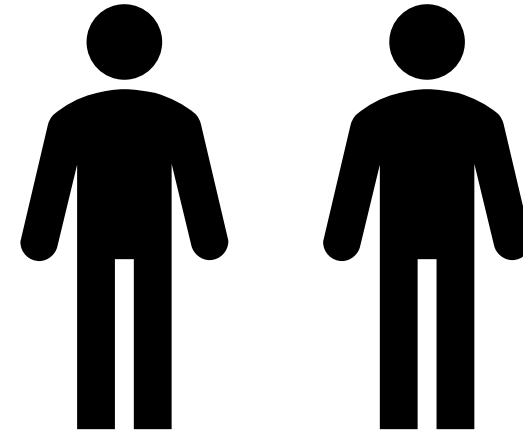


RACKPAK FOLDING INSTRUCTIONS



REQUIRED PEOPLE AND EQUIPMENT

- This job requires two people
- Use steel-toe safety boots
- No tools needed

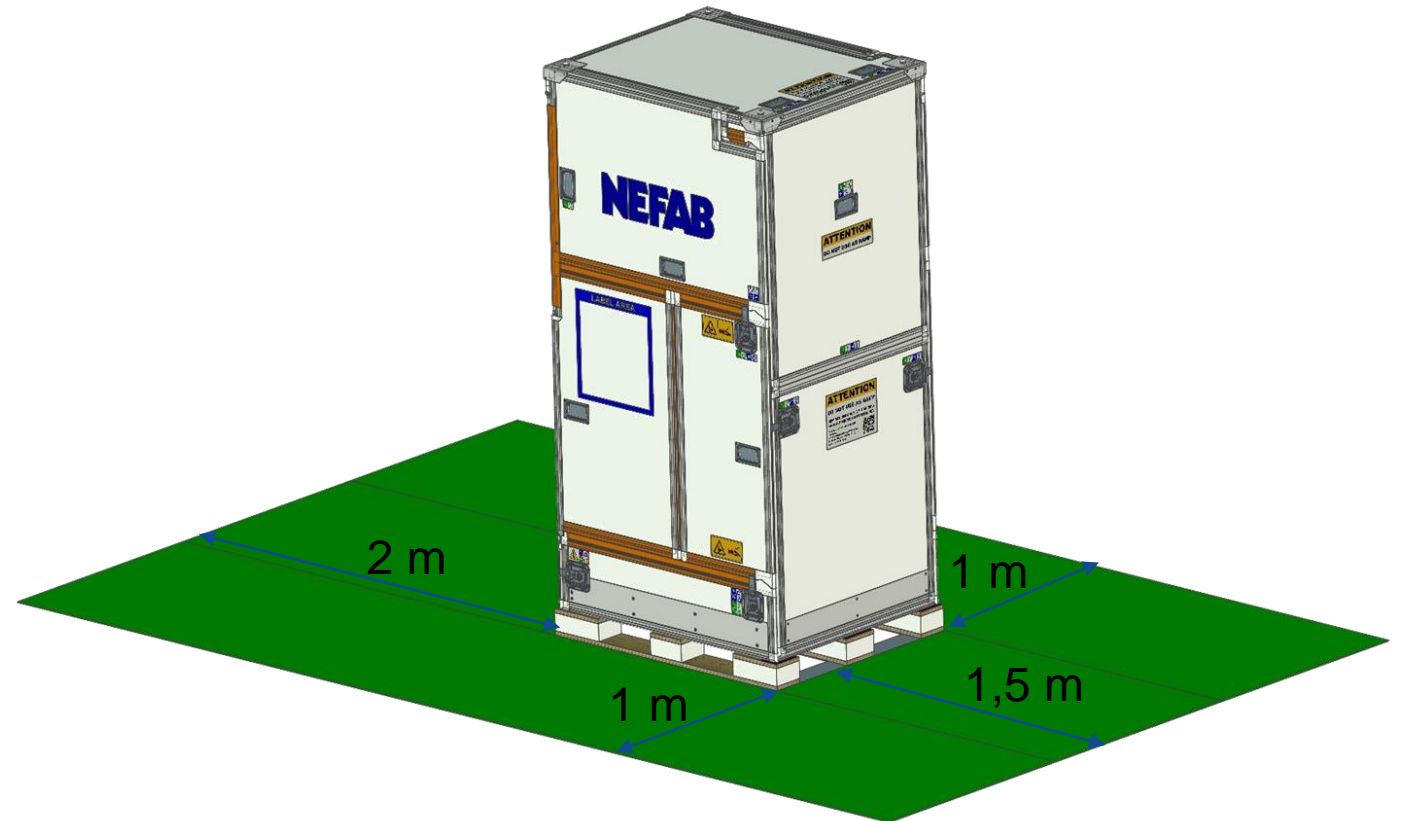


RACKPAK FOLDING INSTRUCTIONS



REQUIRED SPACE

- 1.5 meter in front of product
- 2.0 meter behind product
- 1.0 meter on both sides of product

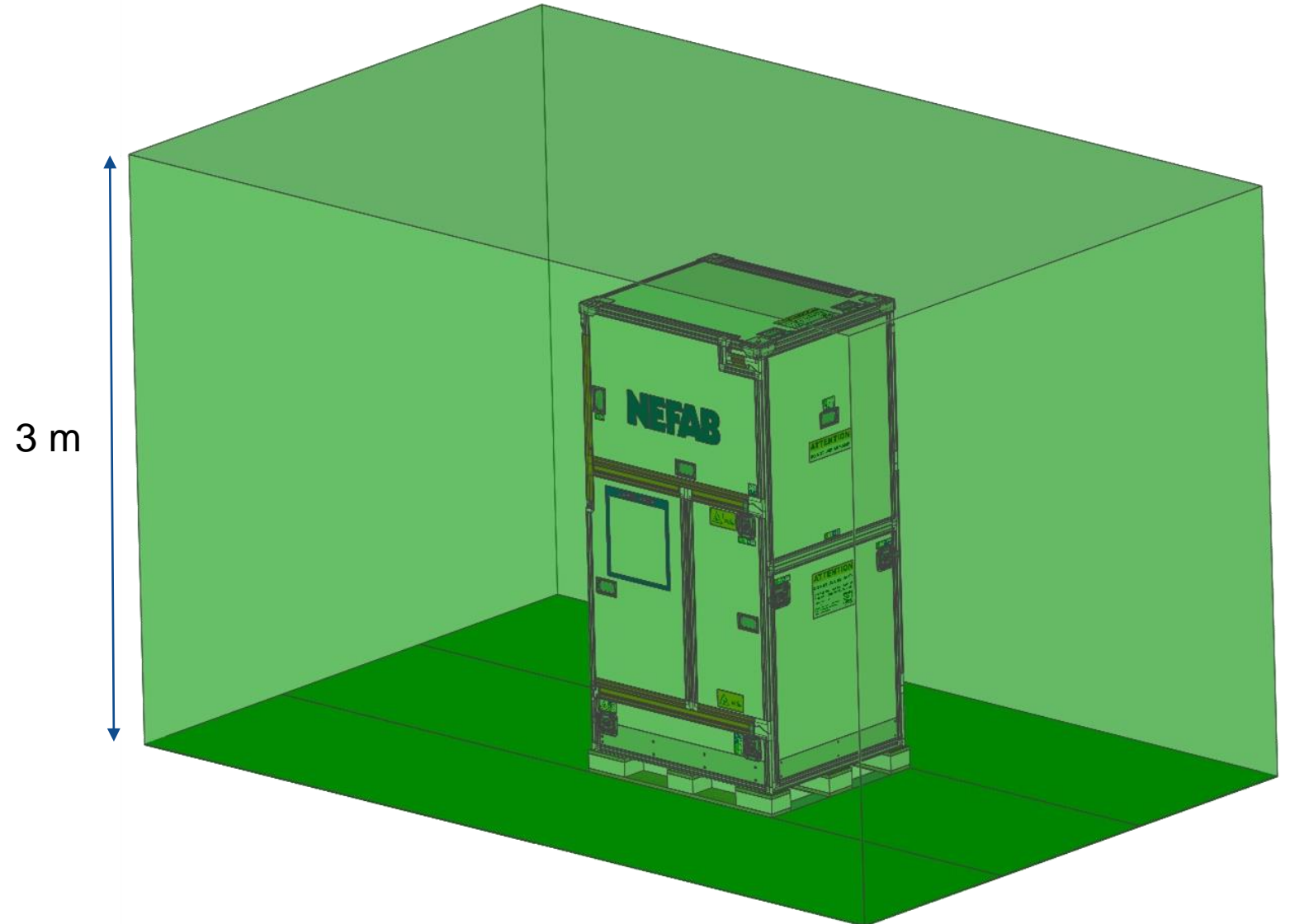


RACKPAK FOLDING INSTRUCTIONS



REQUIRED SPACE

- 3.0 meter ceiling height

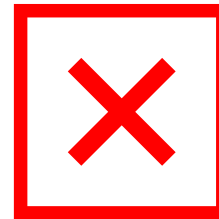


RACKPAK FOLDING INSTRUCTIONS



SAFETY WARNINGS

- Use handles where provided to set up product
- While unfolding the product, do not place your hands where they may get pinched.

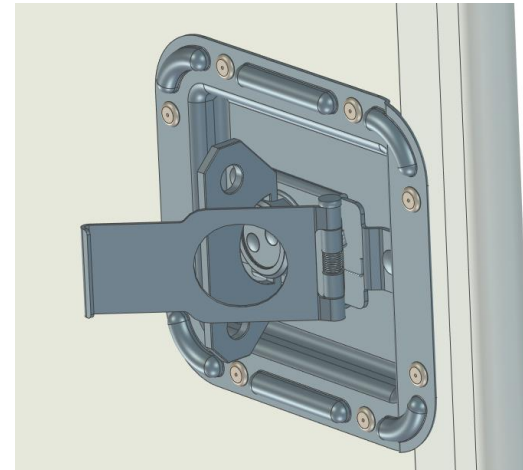
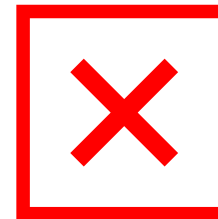
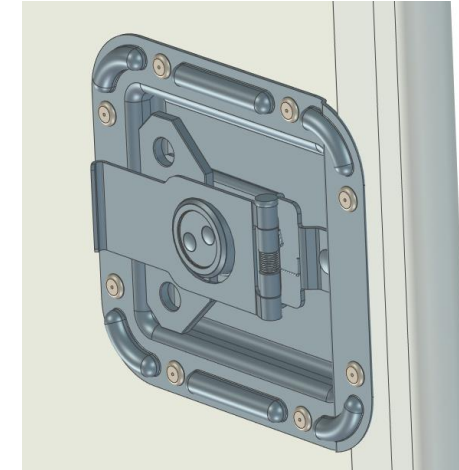


RACKPAK FOLDING INSTRUCTIONS



SAFETY WARNINGS

- When opening latches, make sure to fold back the arm and buckle completely.



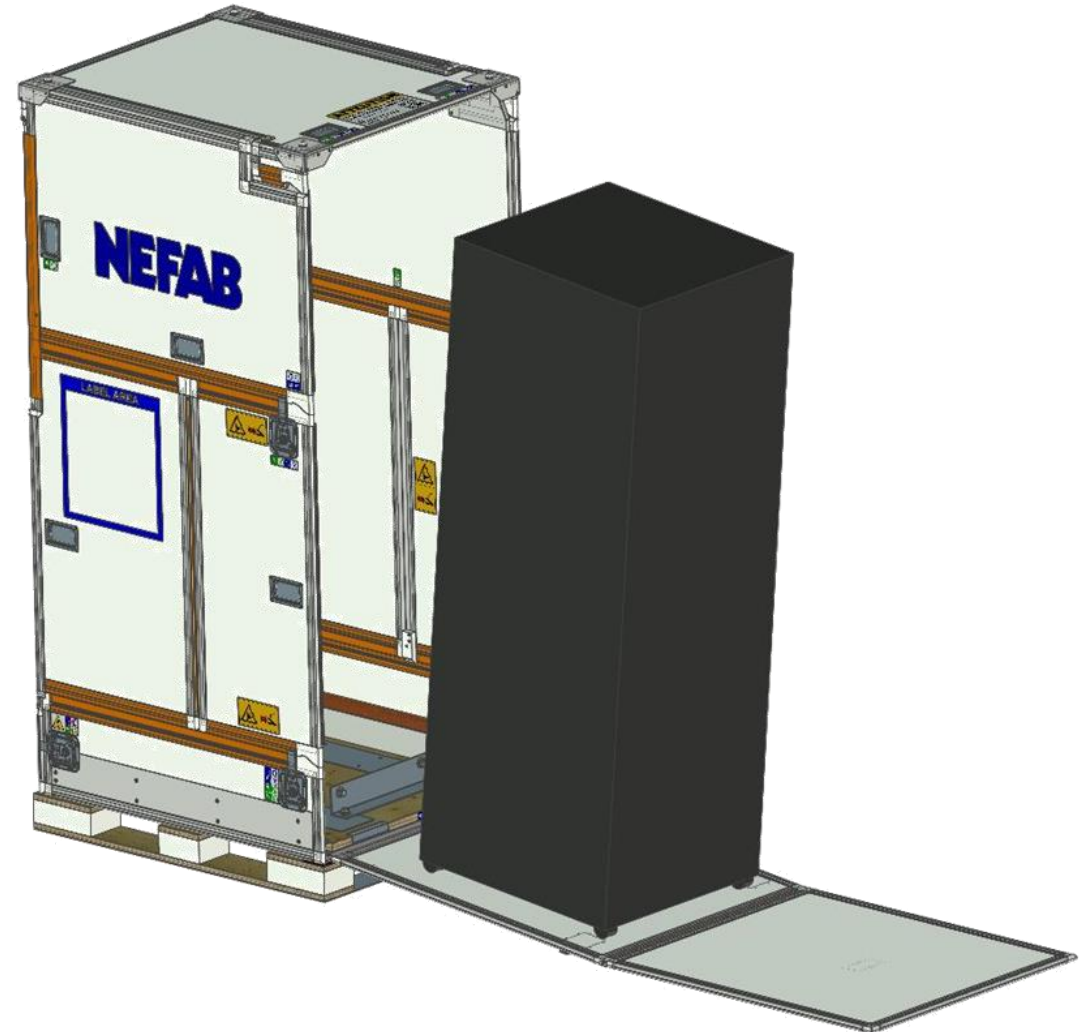
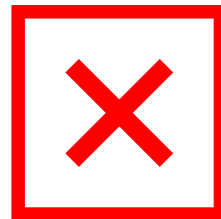
RACKPAK FOLDING INSTRUCTIONS



SAFETY WARNINGS

- Under no circumstances use the front door as a ramp.

The contents of the crate must be unloaded using a stand-alone wood ramp, or Nefab's Rack Jack mobile hydraulic lifting platform.



RACKPAK FOLDING INSTRUCTIONS



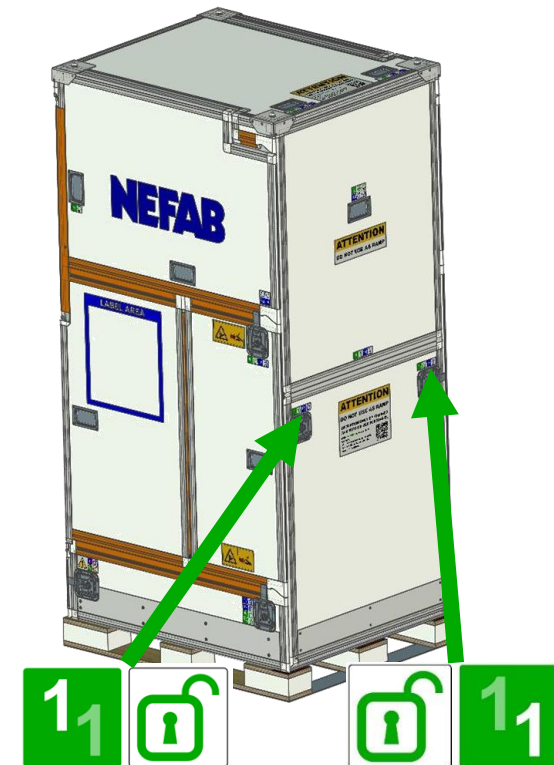
SAFETY WARNINGS

In order to fold the product, follow the following steps.

These are marked with **GREEN** numbered labels on the product.



Double digit labels mean that you should do an action twice, on both sides of the product.

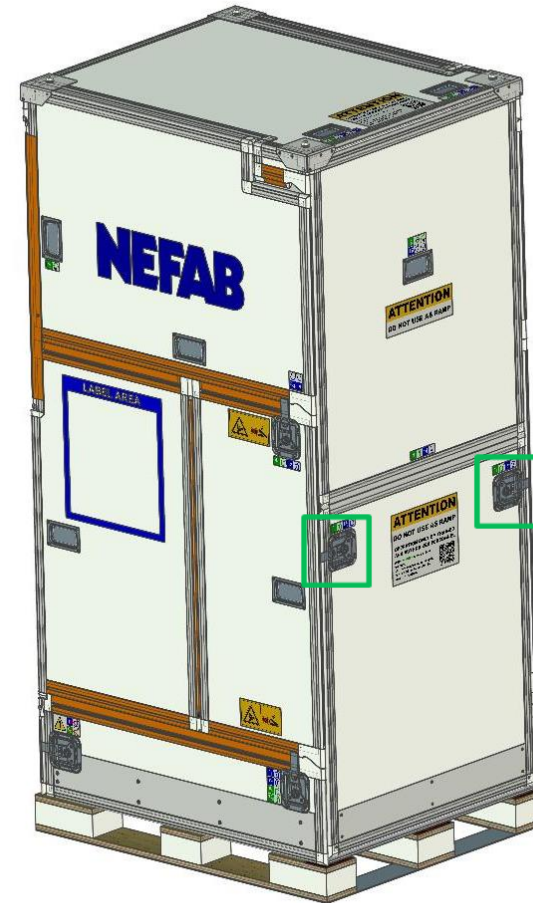


1

RACKPAK FOLDING INSTRUCTIONS



Open both latches on front door.



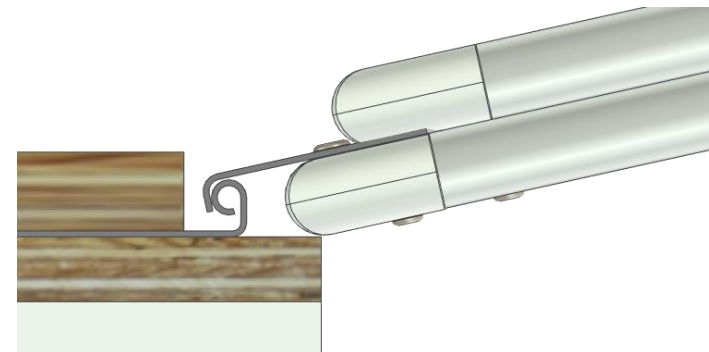
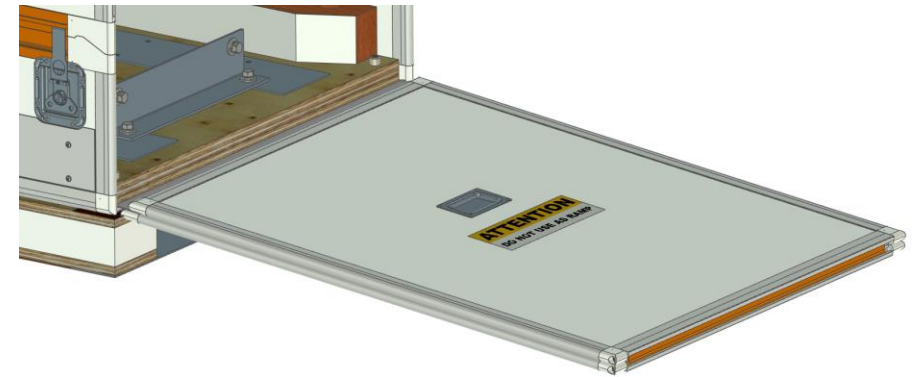
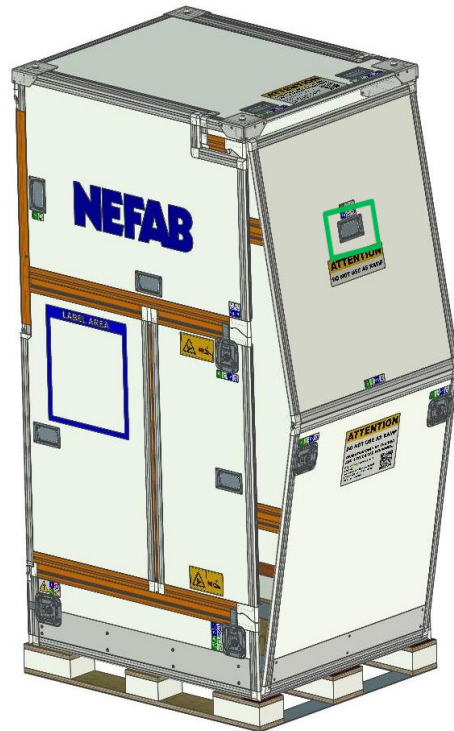
2

RACKPAK FOLDING INSTRUCTIONS



Fold down the front door, using the center handle.

Lower until front door is fully folded and rests on the ground.

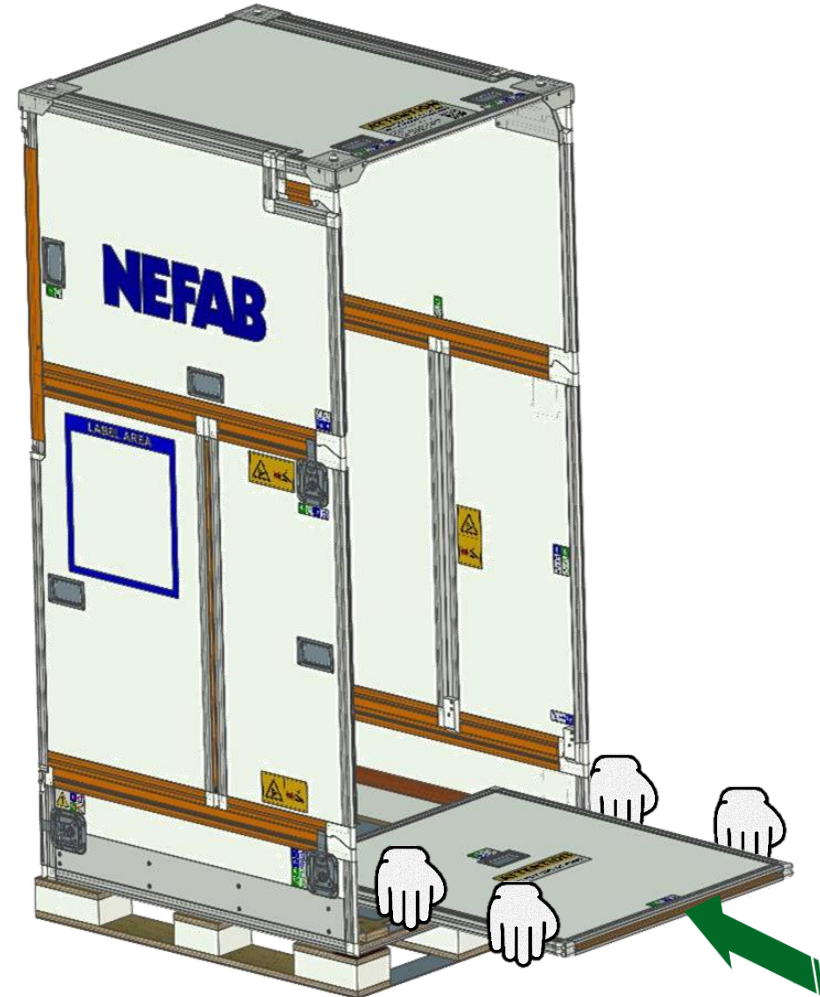


3

RACKPAK FOLDING INSTRUCTIONS



Lift the folded front door from both sides and slide into the base.

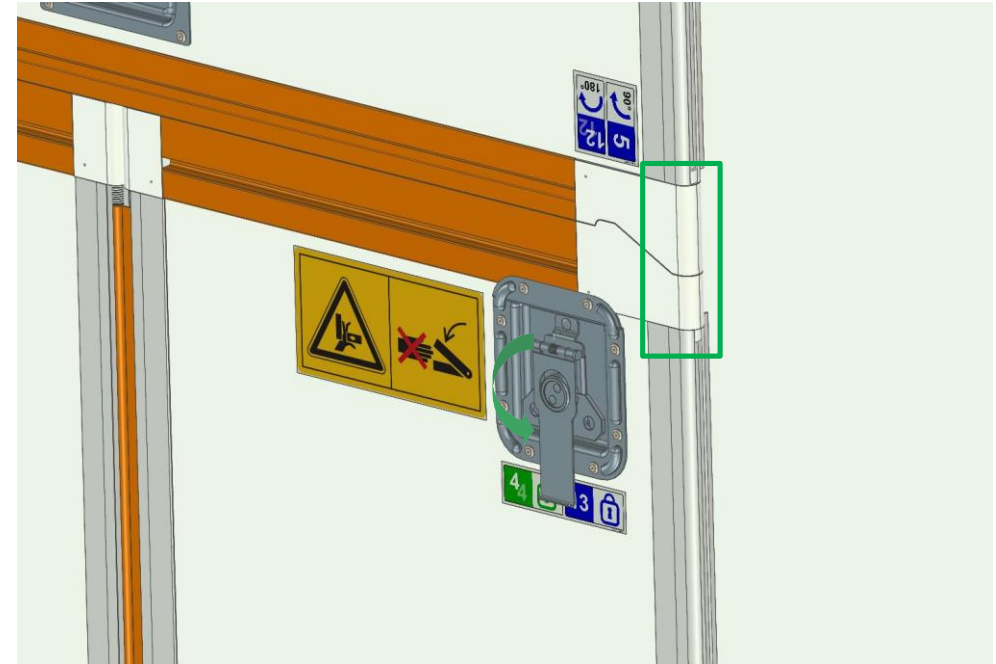


4

RACKPAK FOLDING INSTRUCTIONS



Open the top latches on both sides of the hood

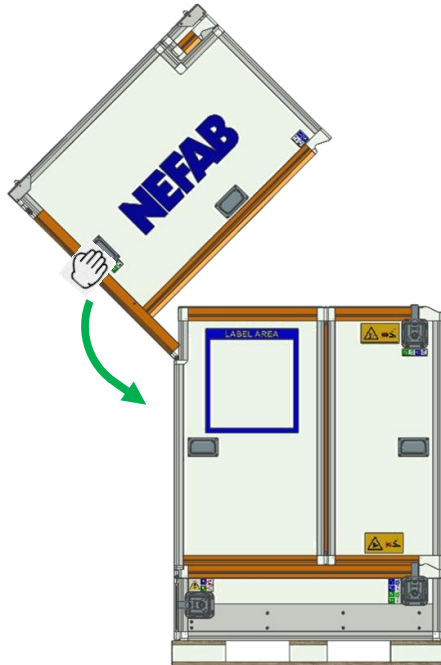


5

RACKPAK FOLDING INSTRUCTIONS



Stand on both sides of the product. Pull on the top handles and carefully rotate the top hood backwards.



Warning:

At no point stand directly behind the product!

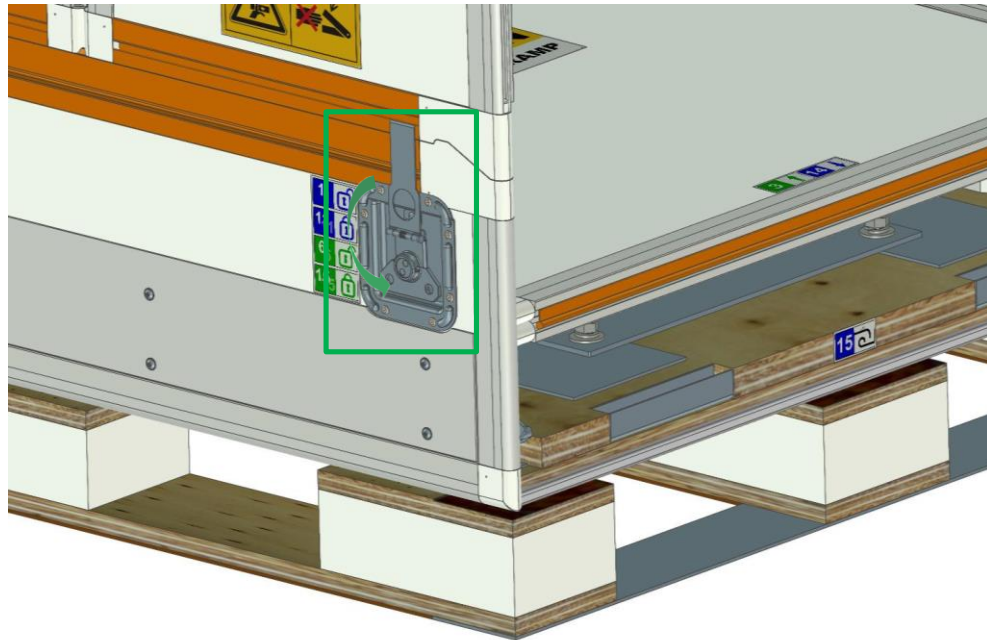


6

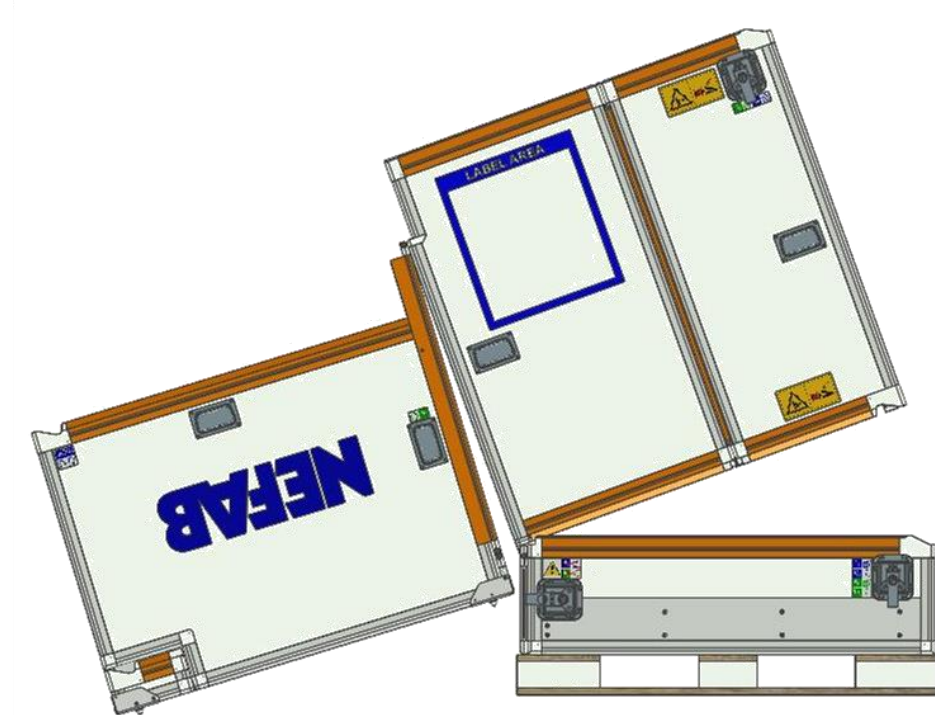
RACKPAK FOLDING INSTRUCTIONS



Open both latches.



Now let the hood rotate upwards until it hits the ground behind.

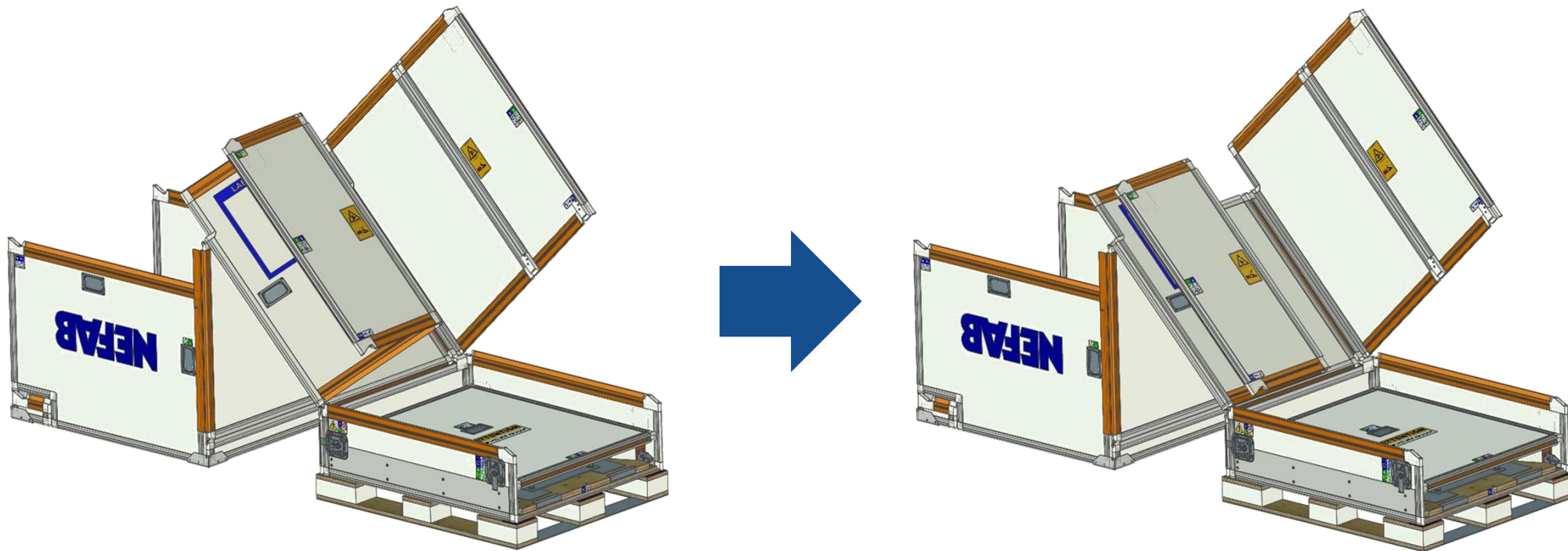


7

RACKPAK FOLDING INSTRUCTIONS



First fold the left side panel as shown

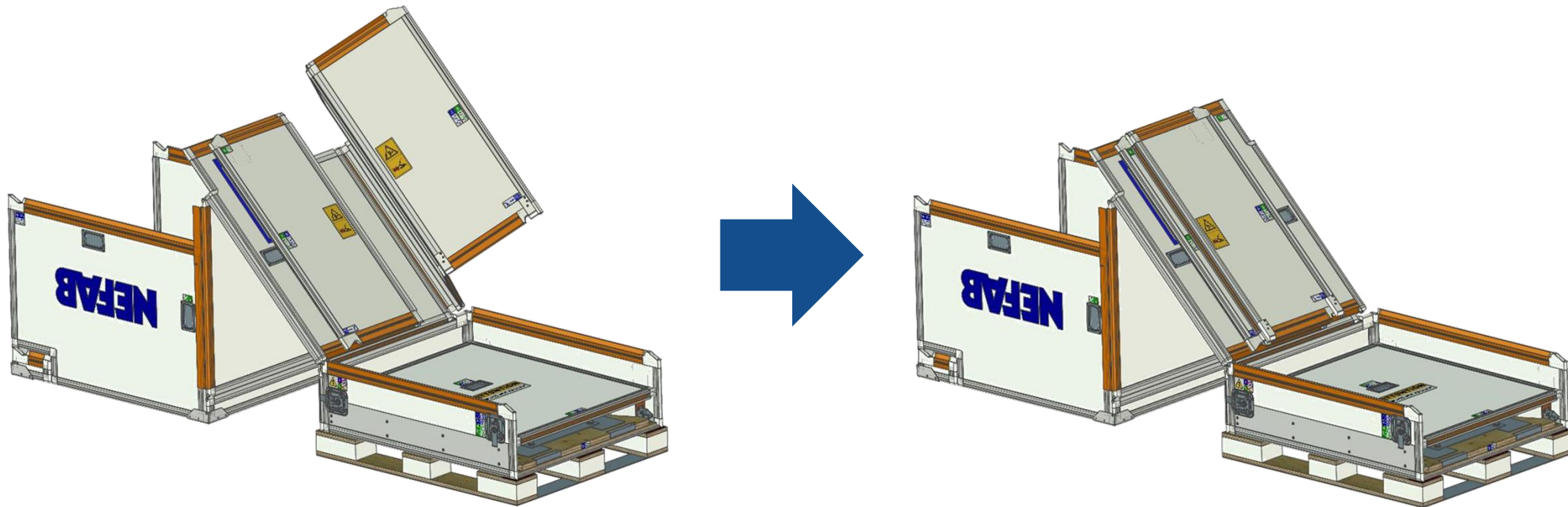


8

RACKPAK FOLDING INSTRUCTIONS



Then fold the right side panel as shown



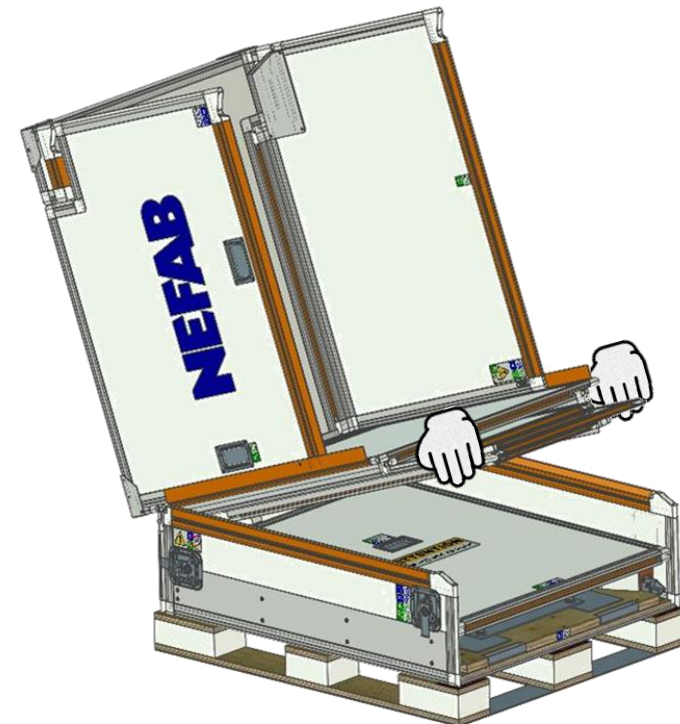
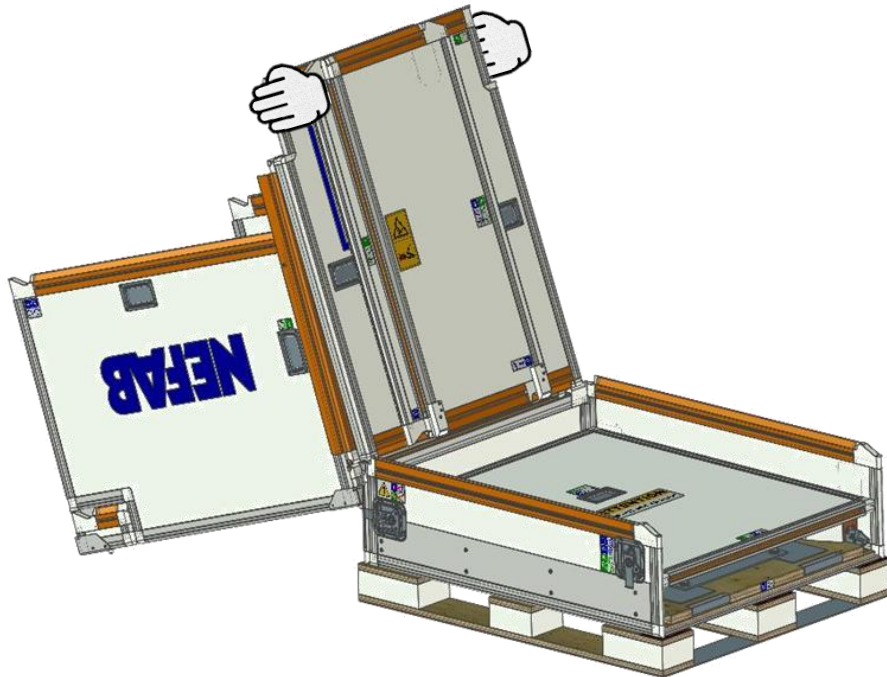
9

RACKPAK FOLDING INSTRUCTIONS



Grab folded panels as indicated and swing inwards

Fold inwards until fully closed

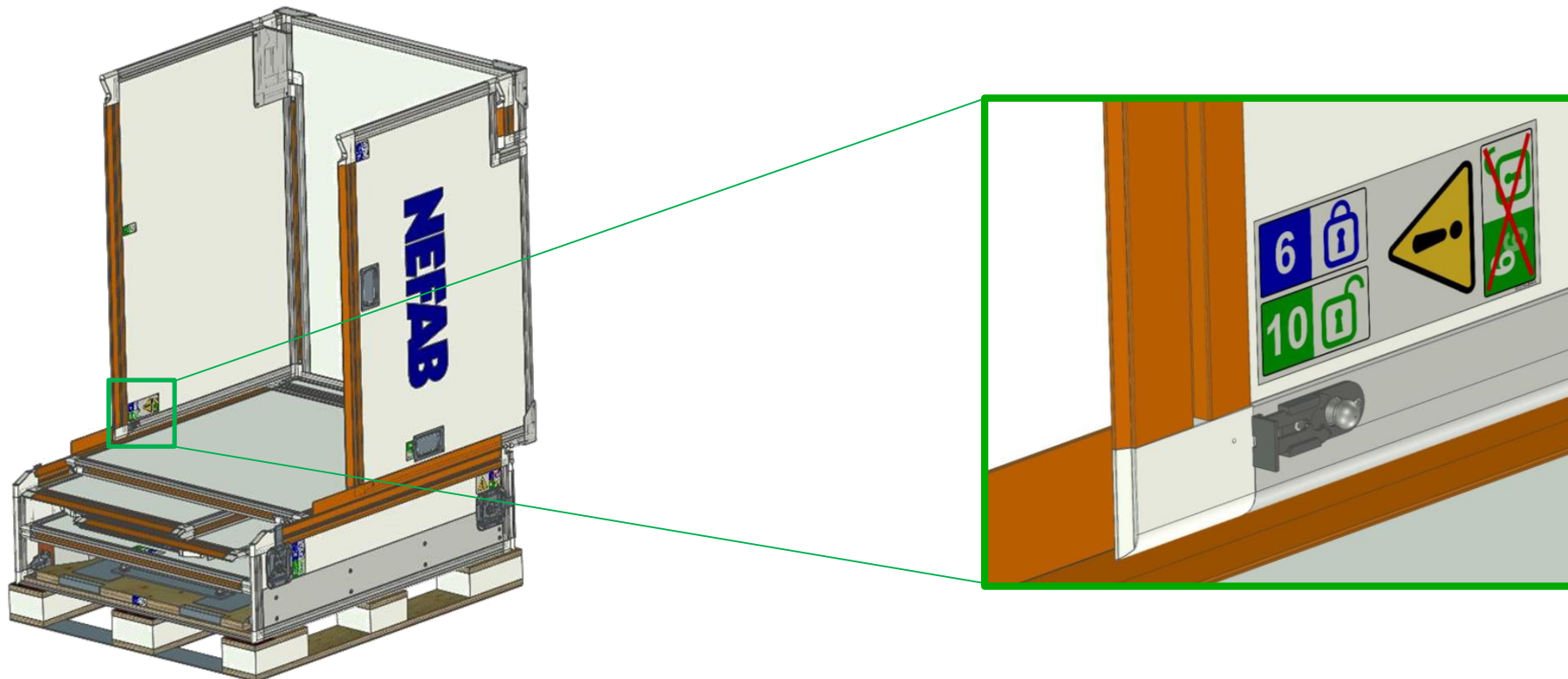


10

RACKPAK FOLDING INSTRUCTIONS



Open latch on the left side panel

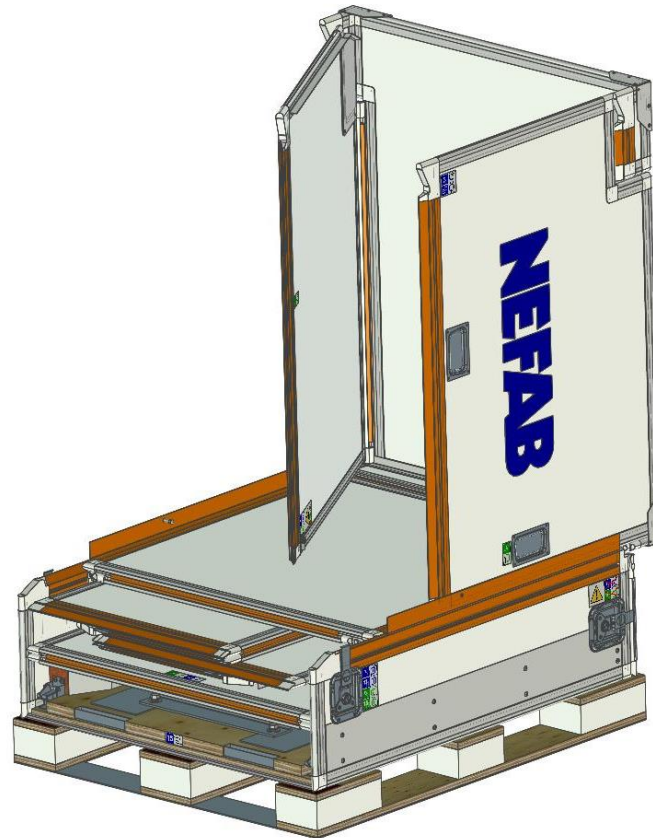


11

RACKPAK FOLDING INSTRUCTIONS



Swing left side panel 90° inwards

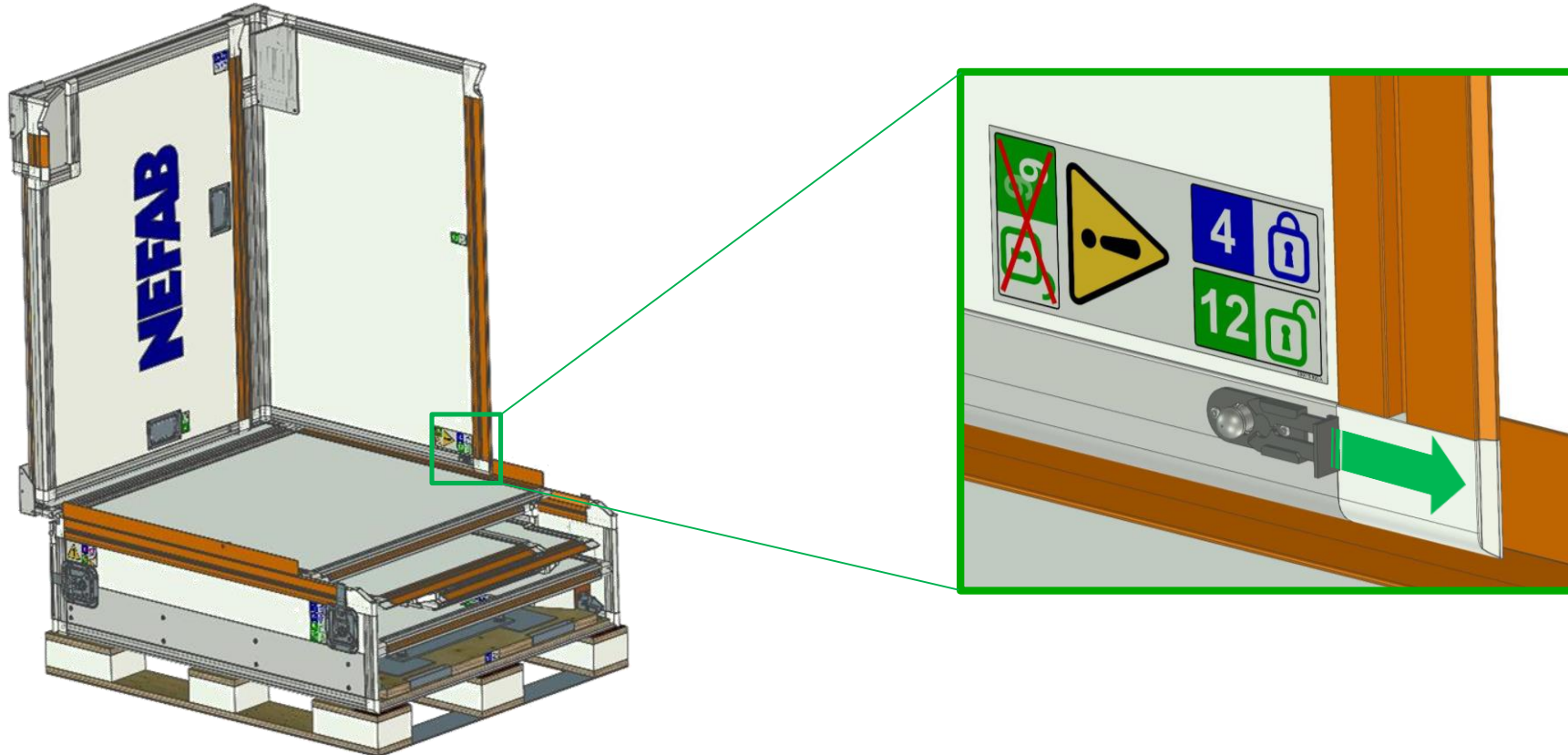


12

RACKPAK FOLDING INSTRUCTIONS



Open latch on the right side panel



13

RACKPAK FOLDING INSTRUCTIONS



Swing right side panel 90°
inwards

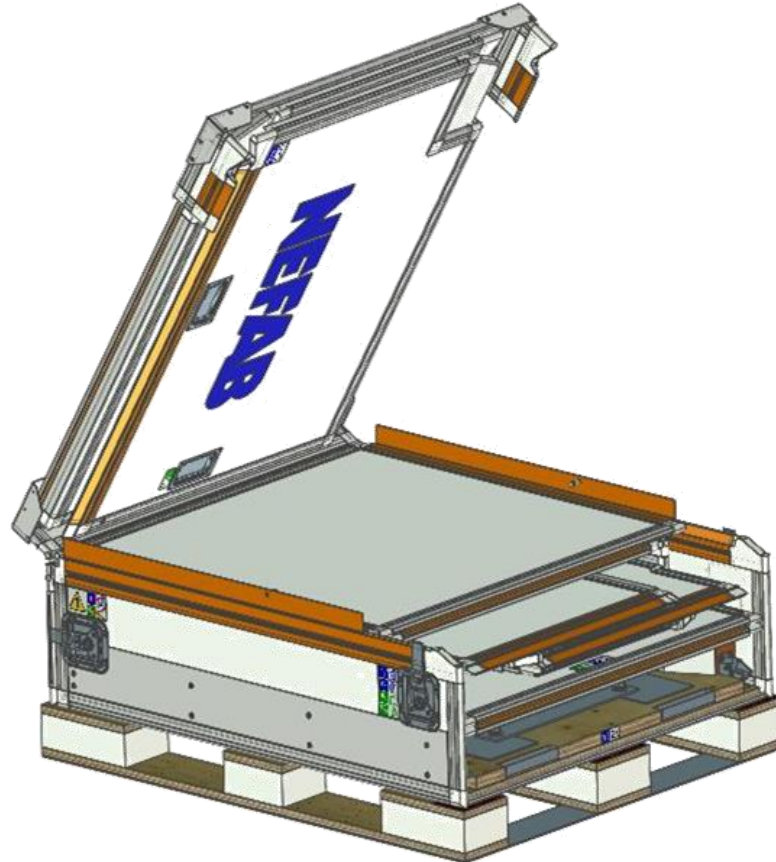


14

RACKPAK FOLDING INSTRUCTIONS



Fold top hood downwards 90°



15

RACKPAK FOLDING INSTRUCTIONS



Close both front latches.

Finished.

