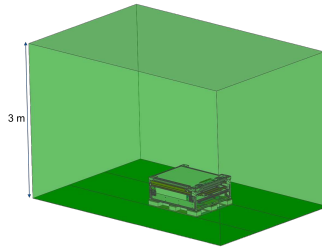


### SAFETY INSTRUCTIONS



Two people needed  
Safety shoes needed  
No tools needed

### SAFETY INSTRUCTIONS



Needed space:  
1.5 m in front, 2.0 m behind,  
1.0 m on both sides,  
3.0 m ceiling height

### SAFETY INSTRUCTIONS



Fully fold back opened latches

### SAFETY INSTRUCTIONS



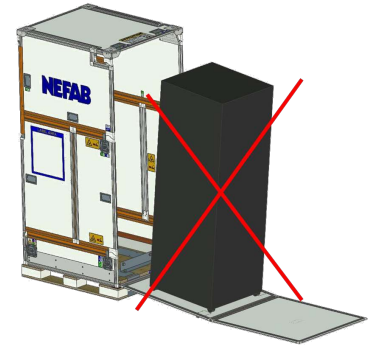
Use handles where available

### SAFETY INSTRUCTIONS



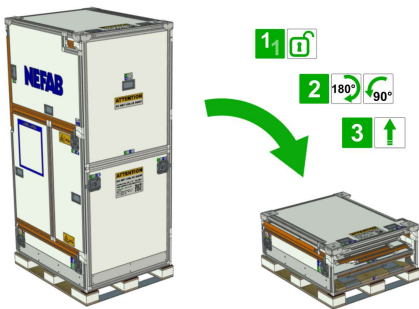
Careful not to pinch hands

### SAFETY INSTRUCTIONS



Never use front door as ramp!

### SAFETY INSTRUCTIONS



Follow **GREEN** labels to fold

### FOLDING STEP 1



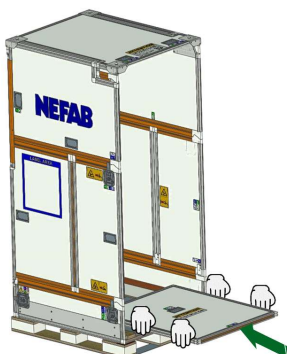
Open both front latches

### FOLDING STEP 2



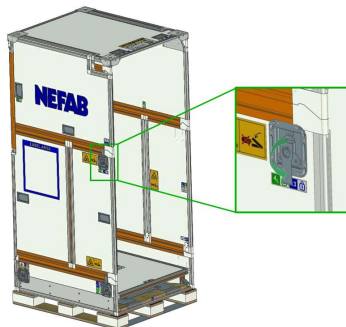
Fold down front door

### FOLDING STEP 3



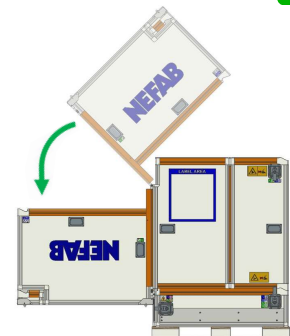
Slide folded front door into base

### FOLDING STEP 4



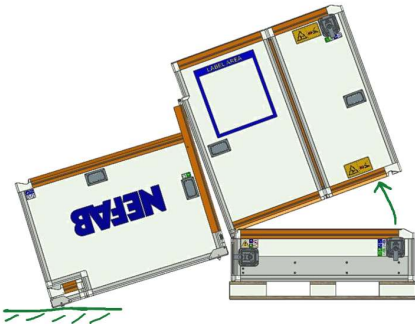
Open both upper front latches

### FOLDING STEP 5



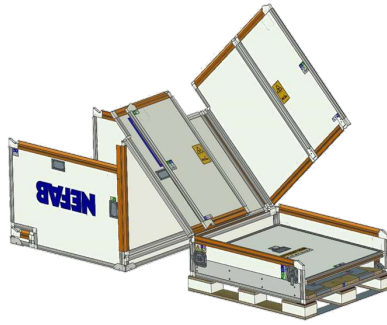
Fold top hood 180° backwards  
**⚠ Do not stand behind base!**

## FOLDING STEP 6



Open lower front latches.  
Let top hood pivot back onto floor.

## FOLDING STEP 7



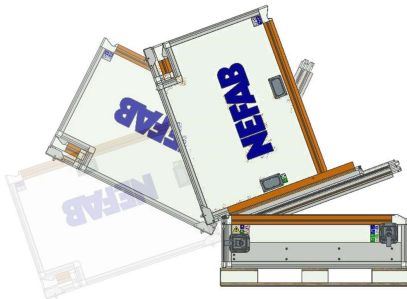
Fold left lower side panel

## FOLDING STEP 8



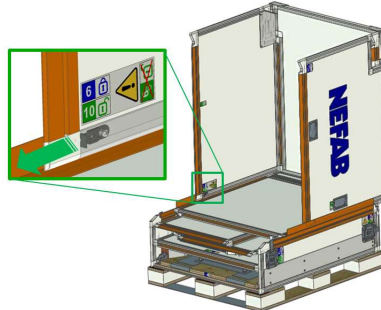
Fold right lower side panel

## FOLDING STEP 9



Rotate until top hood  
rests on base

## FOLDING STEP 10



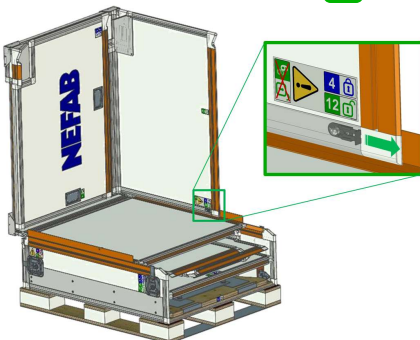
Open left upper side  
panel slide latch

## FOLDING STEP 11



Fold left upper side panel  
inwards 90 degrees

## FOLDING STEP 12



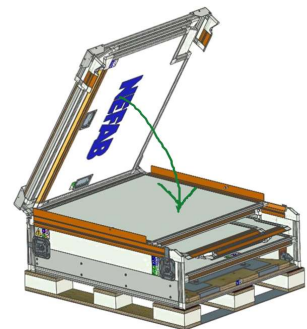
Open right upper side  
panel slide latch

## FOLDING STEP 13



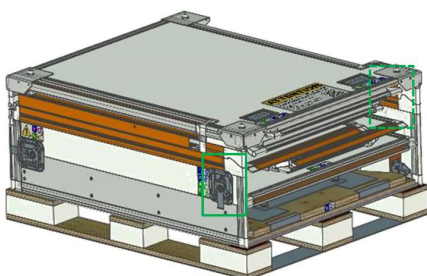
Fold right upper side panel  
inwards 90 degrees

## FOLDING STEP 14



Fold top hood downwards  
90 degrees

## FOLDING STEP 15



Close lower front latches