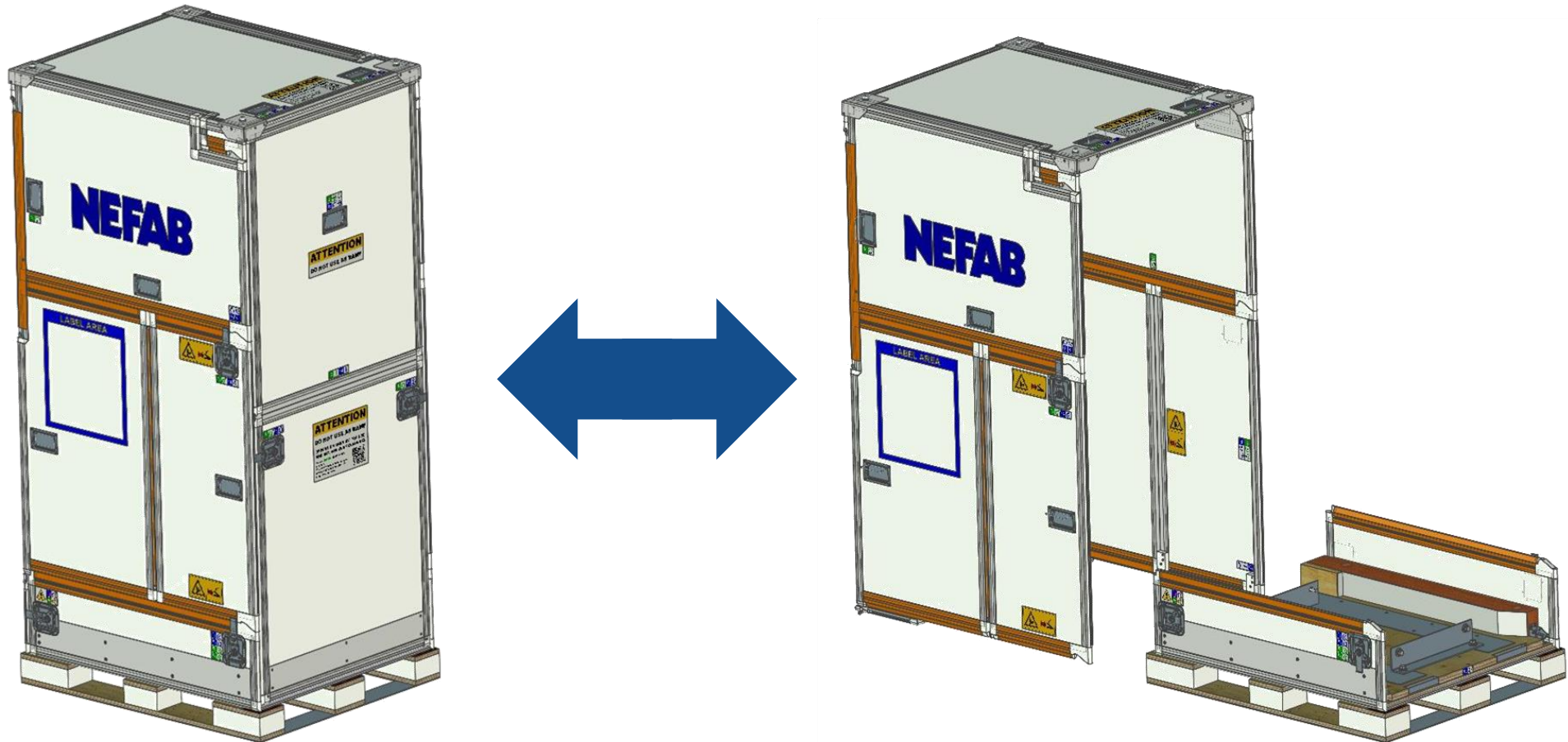


RACKPAK HOOD HANDLING INSTRUCTIONS



VERSION 2020-06-16

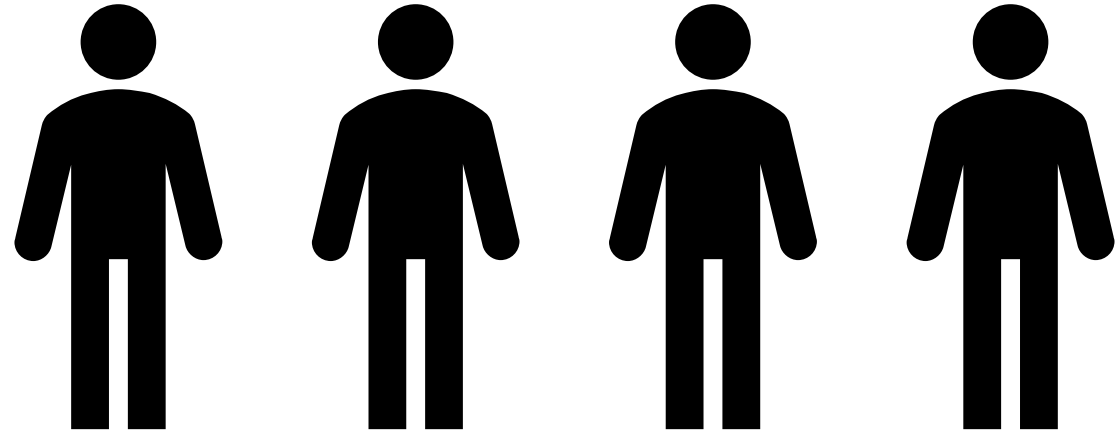


RACKPAK HOOD HANDLING INSTRUCTIONS



REQUIRED PEOPLE AND EQUIPMENT

- This job requires four people
- Use steel-toe safety boots
- No tools needed

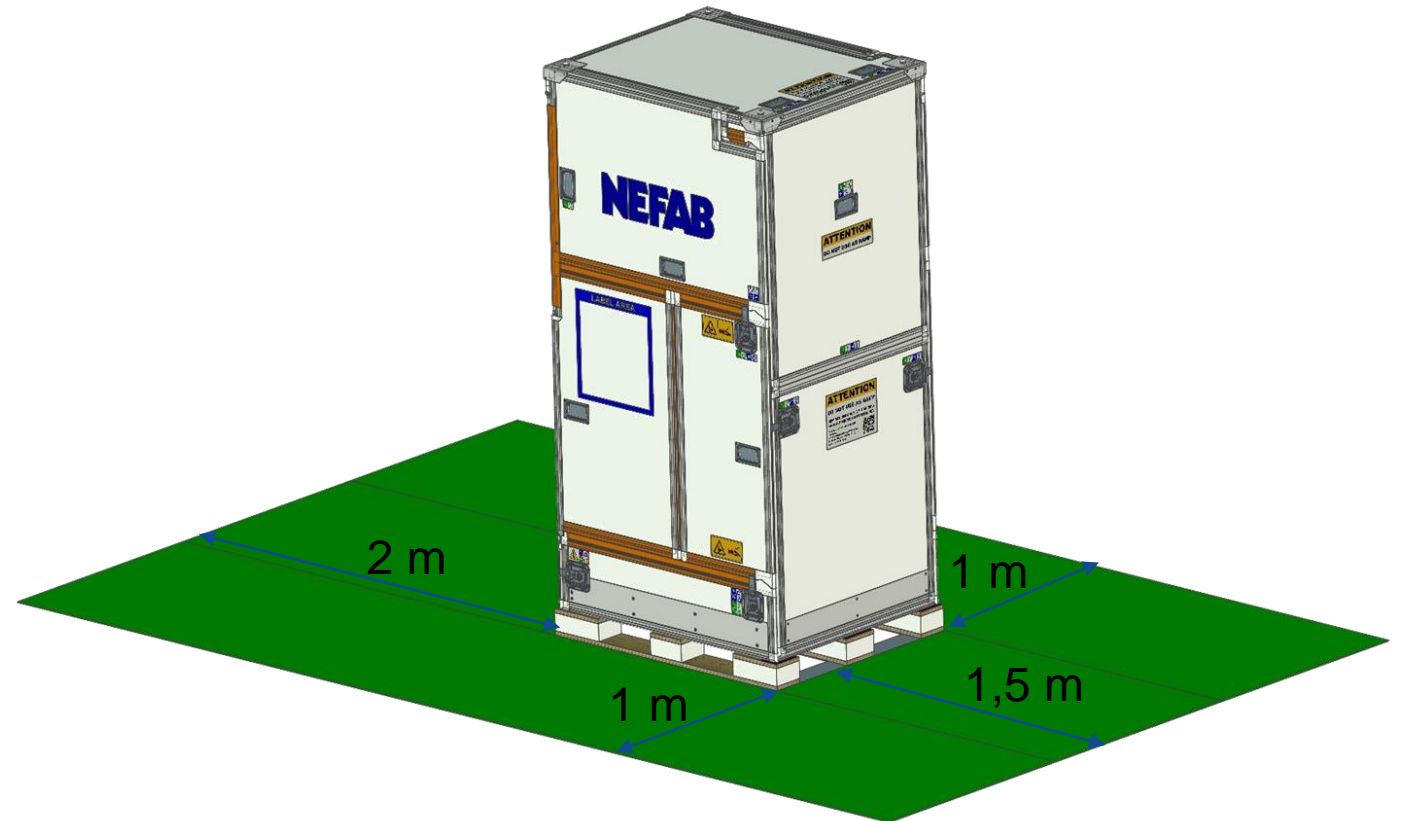


RACKPAK HOOD HANDLING INSTRUCTIONS



REQUIRED SPACE

- 1.5 meter in front of product
- 2.0 meter behind product
- 1.0 meter on both sides of product

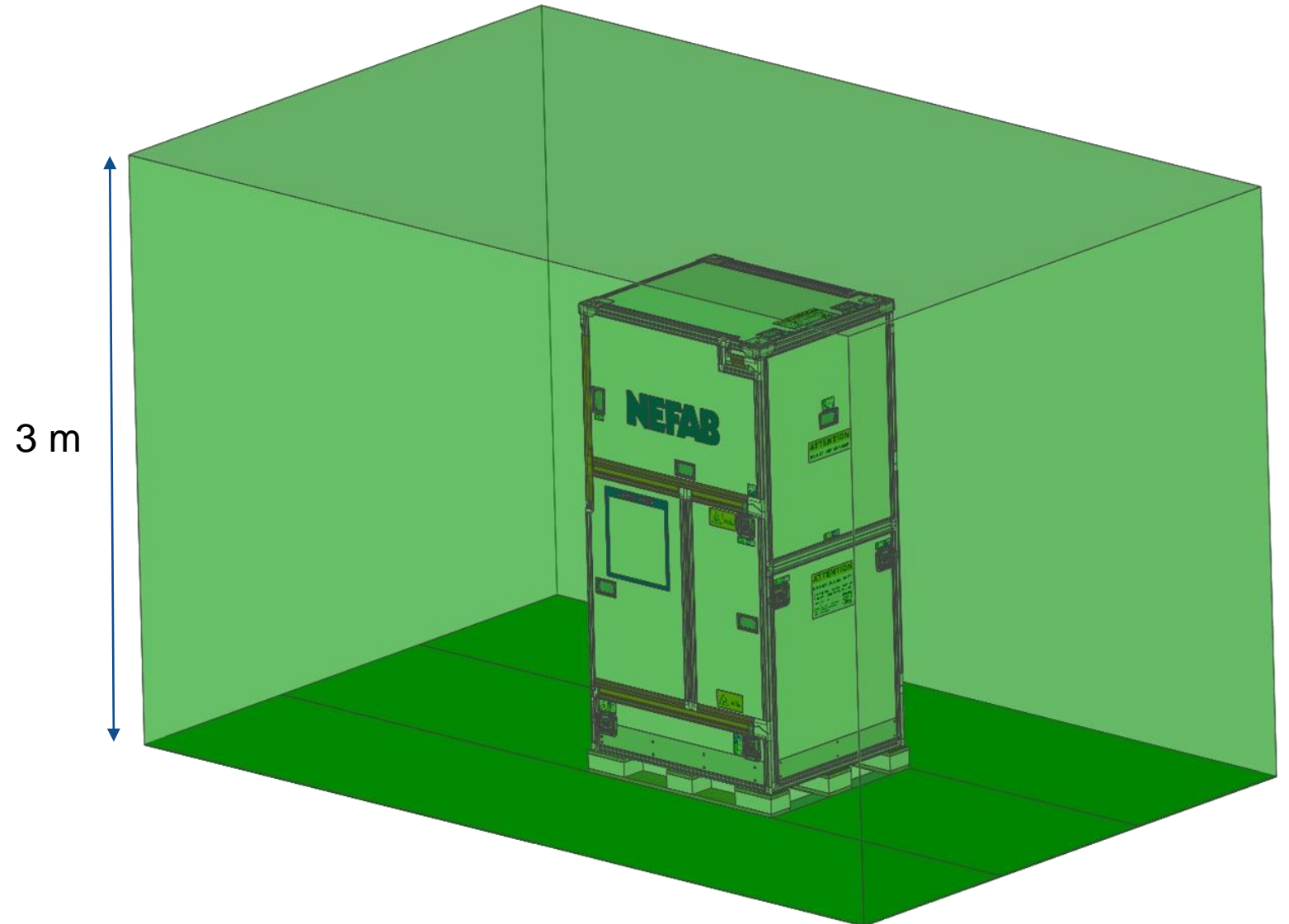


RACKPAK HOOD HANDLING INSTRUCTIONS



REQUIRED SPACE

- 3.0 meter ceiling height

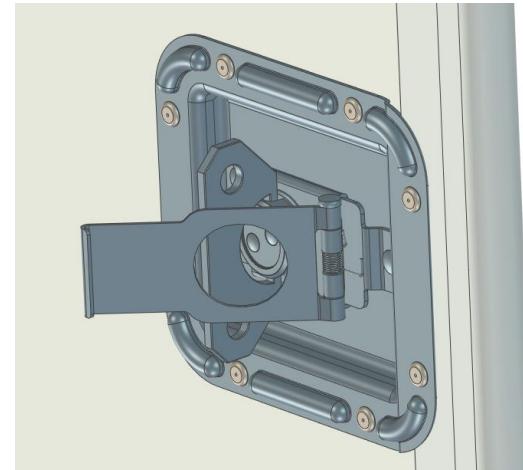
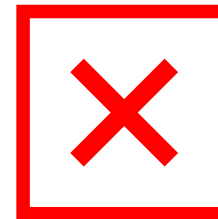
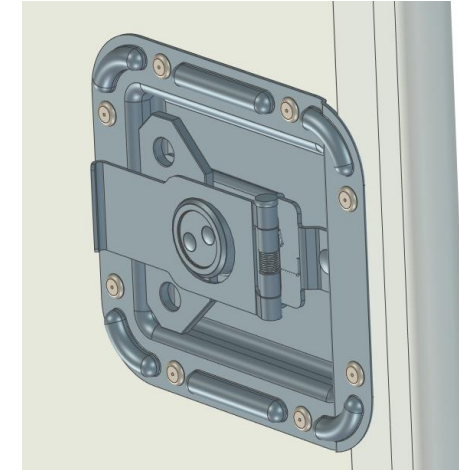


RACKPAK HOOD HANDLING INSTRUCTIONS



SAFETY WARNINGS

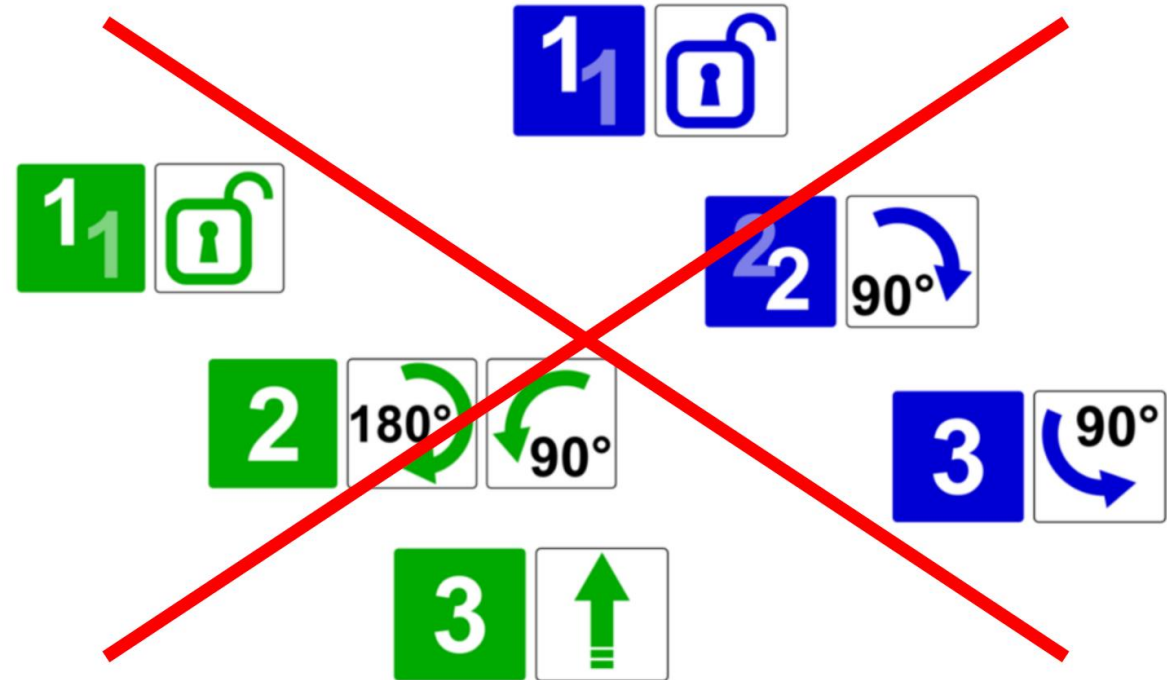
- When opening latches, make sure to fold back the arm and buckle completely.



RACKPAK HOOD HANDLING INSTRUCTIONS

LABELS

- RackPak is marked with color coded labels.
- Note that these are *not relevant* for handling the hood.

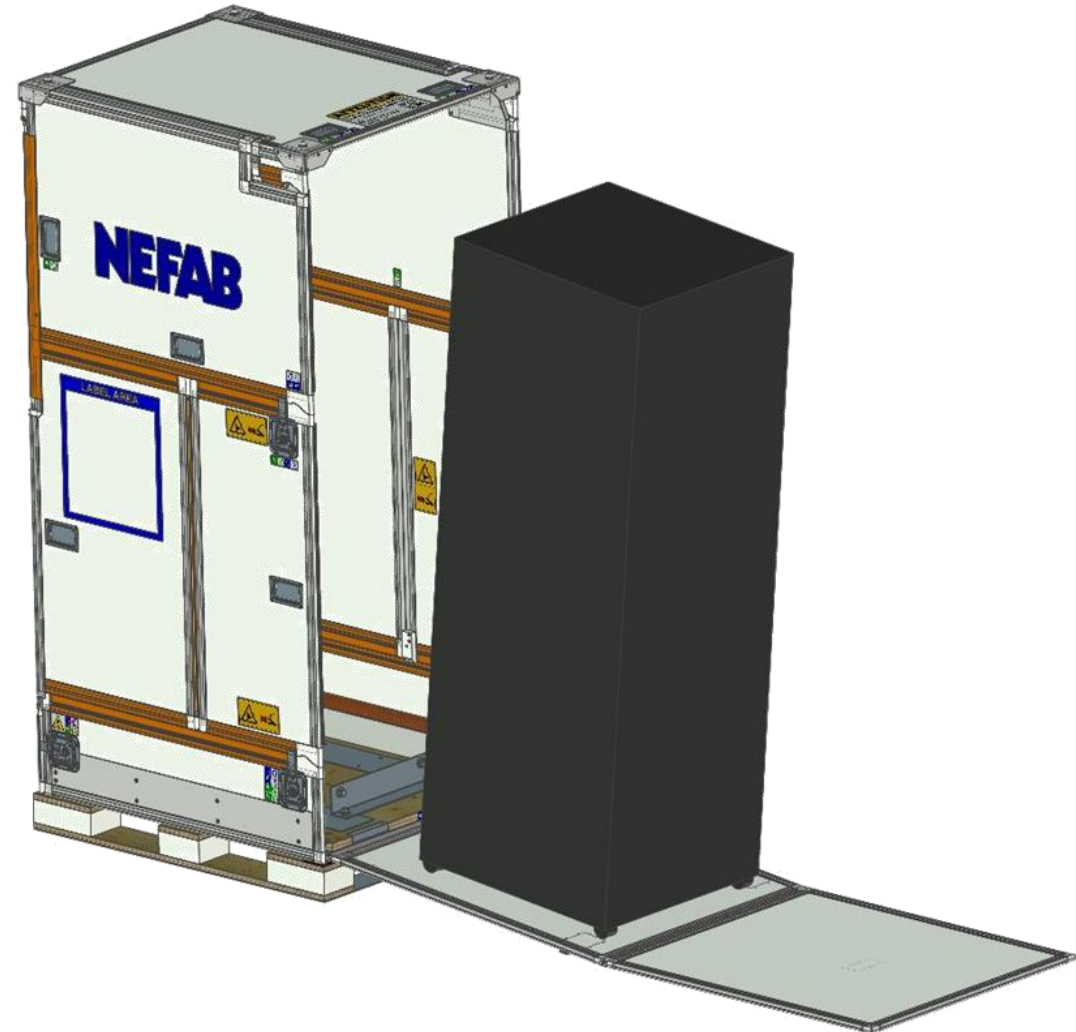
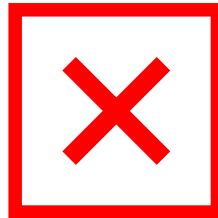


RACKPAK HOOD HANDLING INSTRUCTIONS

SAFETY WARNINGS

- Under no circumstances use the front door as a ramp.

The contents of the crate must be unloaded using a stand-alone wood ramp, or Nefab's Rack Jack mobile hydraulic lifting platform.



RACKPAK HOOD HANDLING INSTRUCTIONS



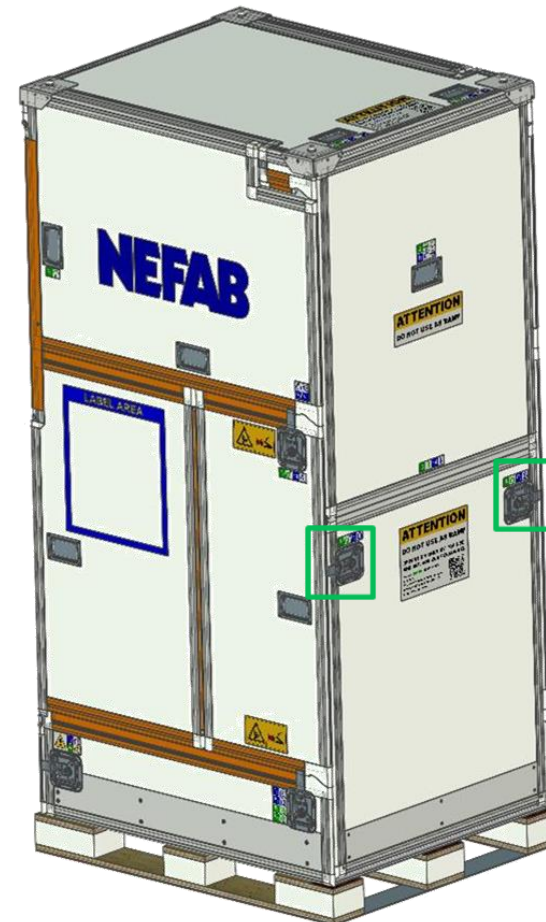
HOOD REMOVAL INSTRUCTIONS

RACKPAK HOOD HANDLING INSTRUCTIONS



HOOD REMOVAL

Open both latches on front door.

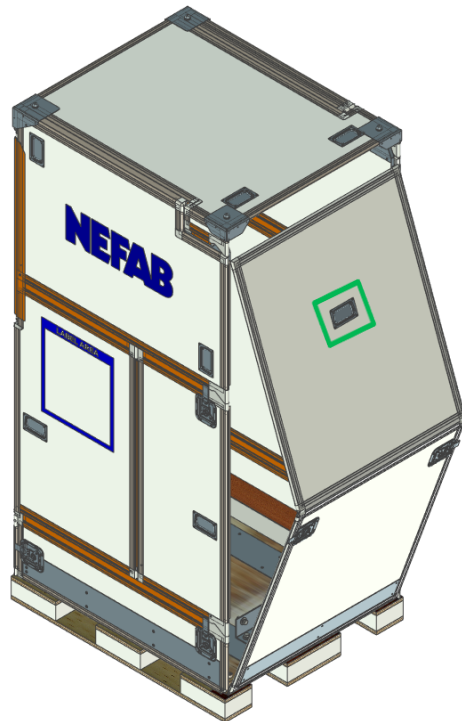


RACKPAK HOOD HANDLING INSTRUCTIONS

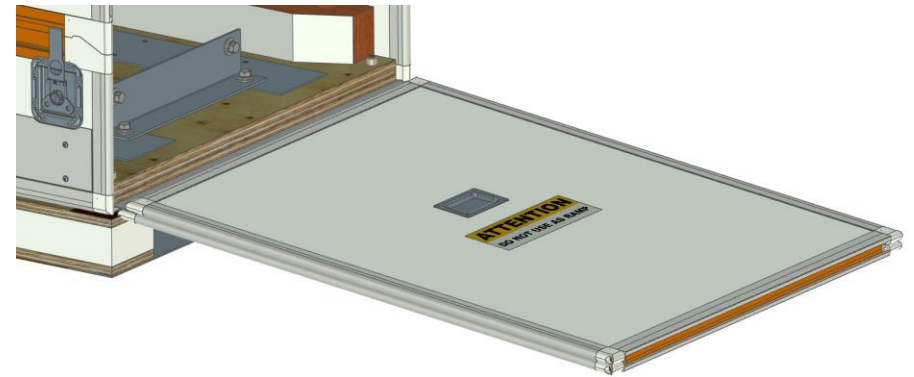


HOOD REMOVAL

Fold down the front door, using the center handle.



Lower until front door is fully folded and rests on the ground.



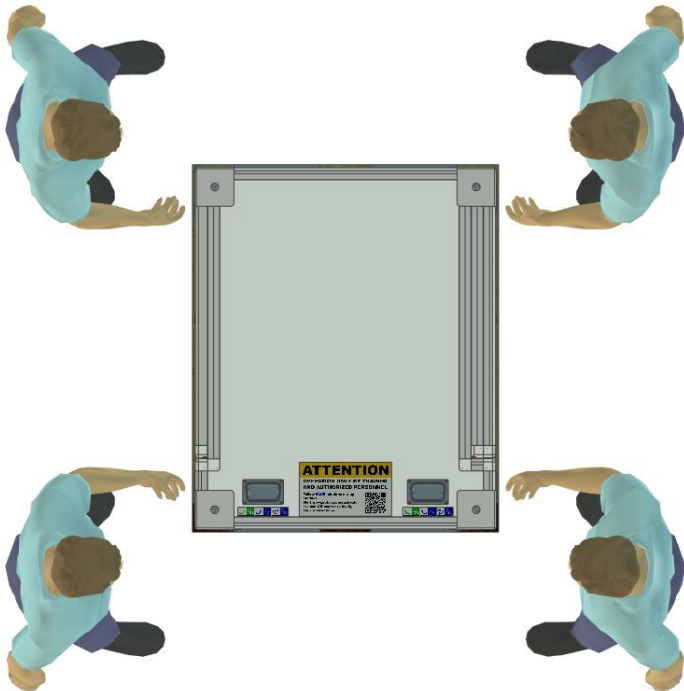
Pick up hood and store elsewhere.

RACKPAK HOOD HANDLING INSTRUCTIONS



HOOD REMOVAL

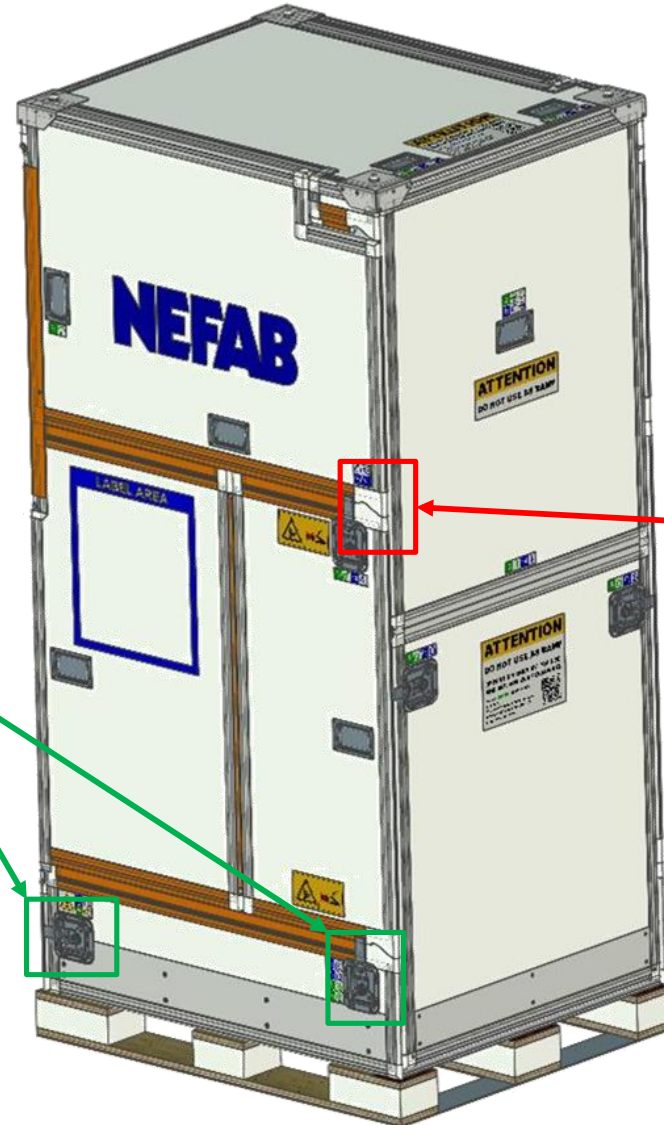
With four people, stand at four corners of the base.



RACKPAK HOOD HANDLING INSTRUCTIONS



HOOD REMOVAL



Warning:

Do not open the
upper hood latch

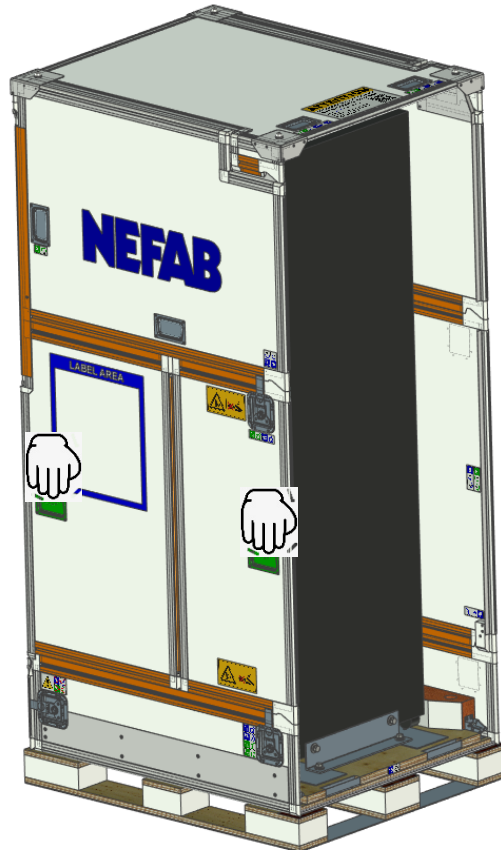
Open the four **lower**
latches connecting
the hood to the base.

RACKPAK HOOD HANDLING INSTRUCTIONS

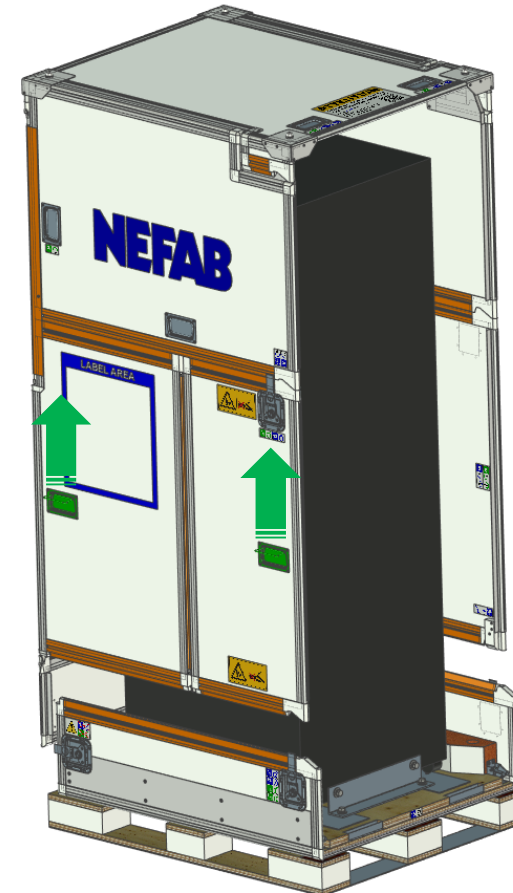


HOOD REMOVAL

With four people, grab the lower four handles



Then, carefully lift the hood up and backwards.



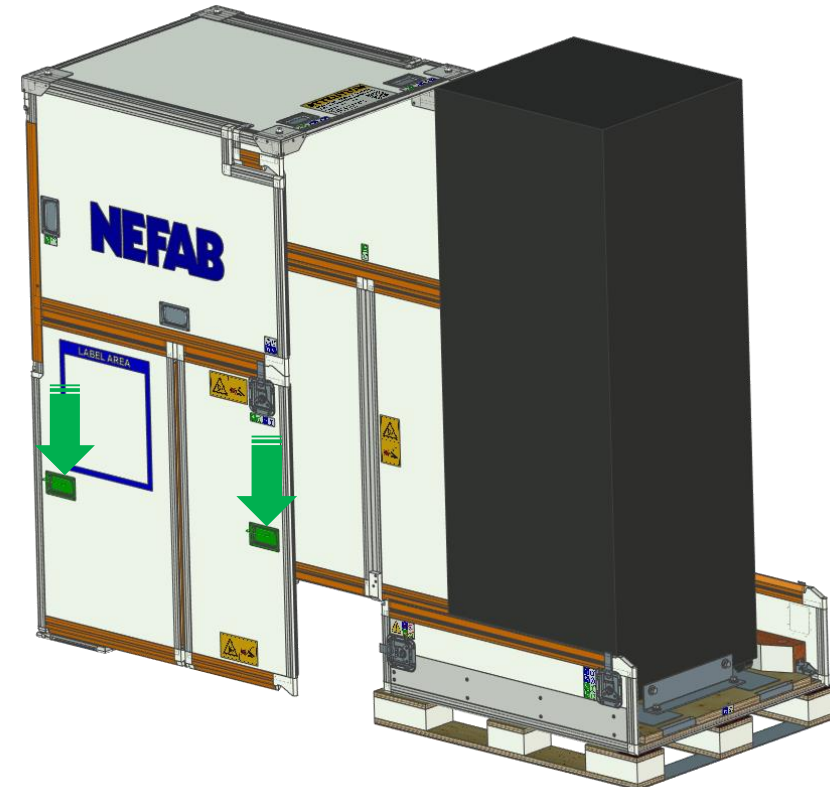
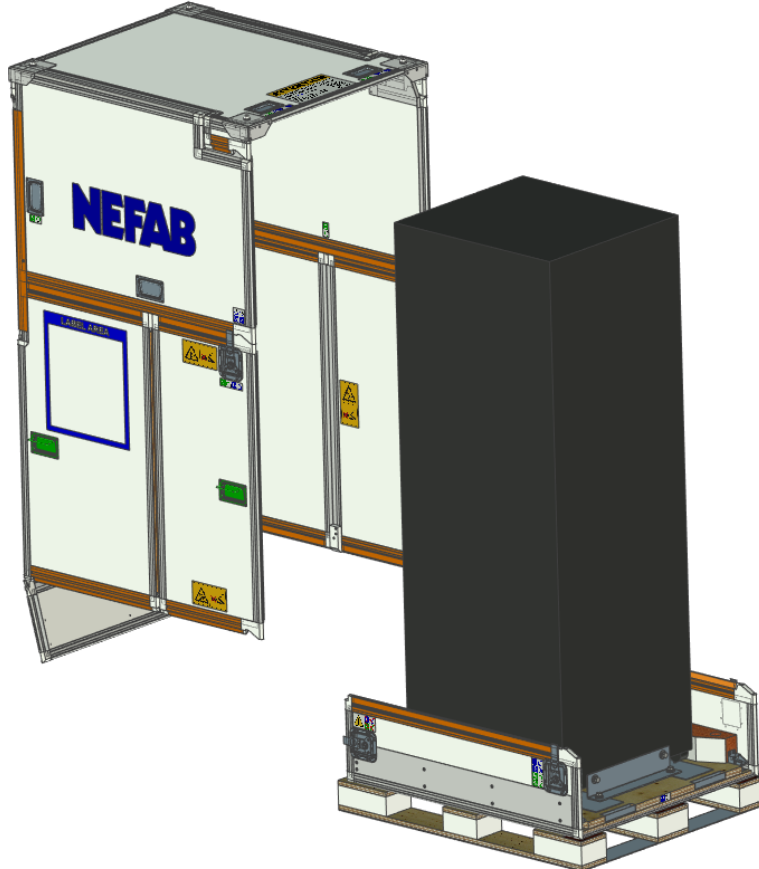
RACKPAK HOOD HANDLING INSTRUCTIONS



HOOD REMOVAL

Walk backwards and lower hood so bottom flap folds inwards

Fully lower hood down on the ground.



RACKPAK HOOD HANDLING INSTRUCTIONS



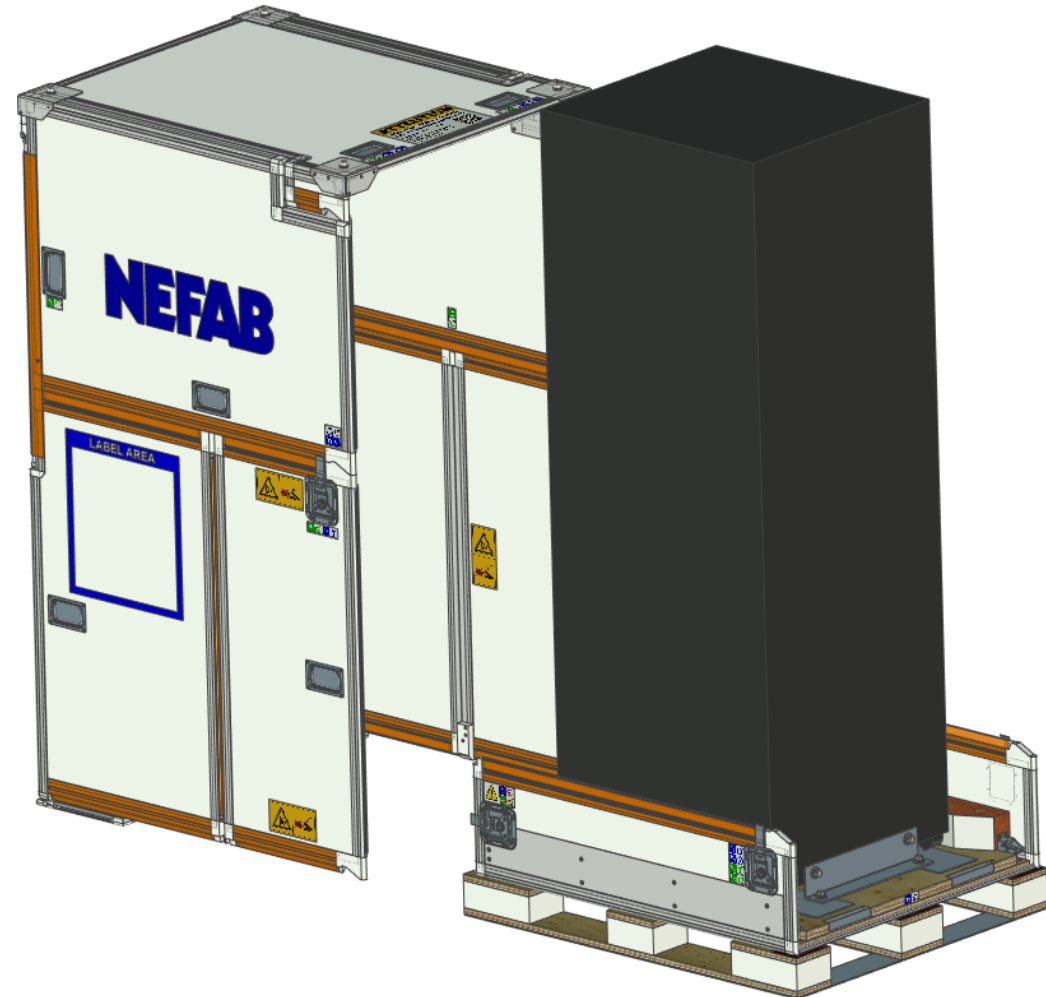
HOOD PLACEMENT INSTRUCTIONS

RACKPAK HOOD HANDLING INSTRUCTIONS



HOOD PLACEMENT

Place base (with or without product on it) in front of hood.

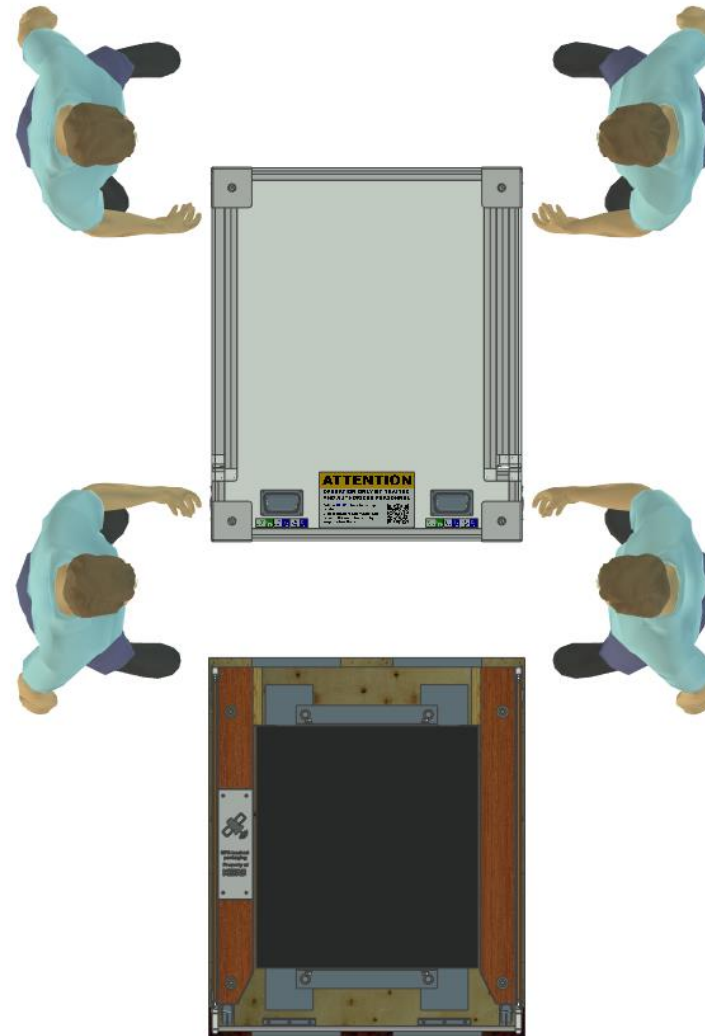


RACKPAK HOOD HANDLING INSTRUCTIONS



HOOD PLACEMENT

With four people, stand at four corners of the hood.

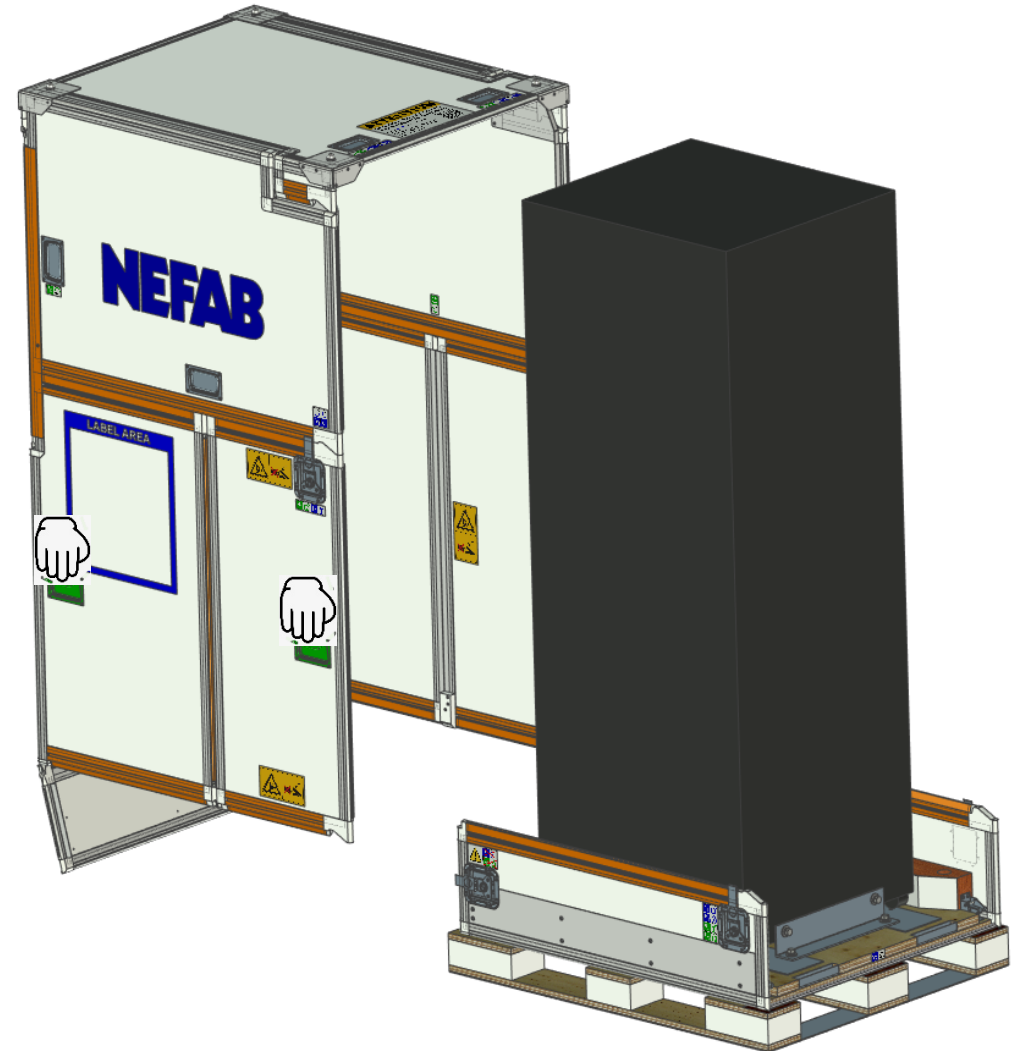


RACKPAK HOOD HANDLING INSTRUCTIONS



HOOD PLACEMENT

Using the lower four handles, carefully lift up the product.



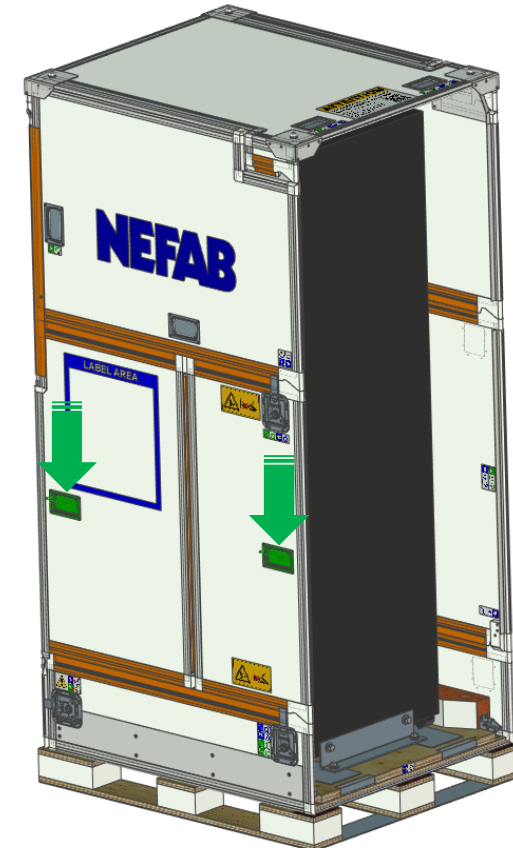
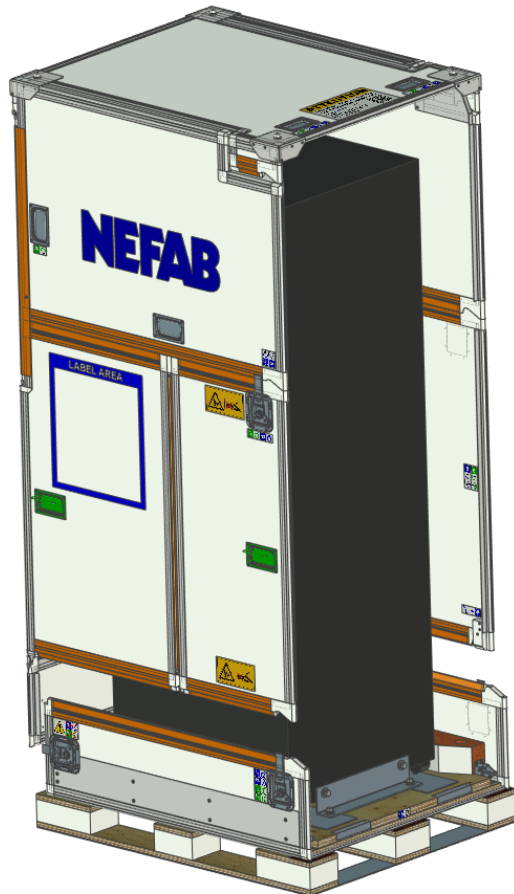
RACKPAK HOOD HANDLING INSTRUCTIONS



HOOD PLACEMENT

Lift the hood over the base

Carefully lower in place, so profiles slide into each other.

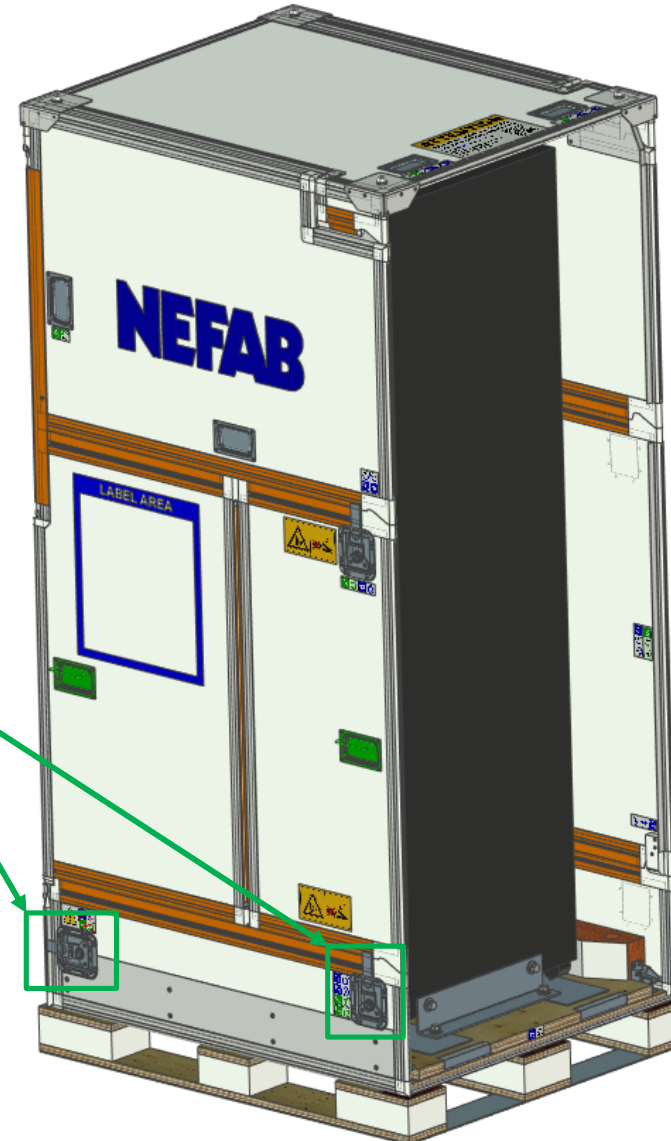


RACKPAK HOOD HANDLING INSTRUCTIONS



HOOD PLACEMENT

Close the **bottom four** latches.

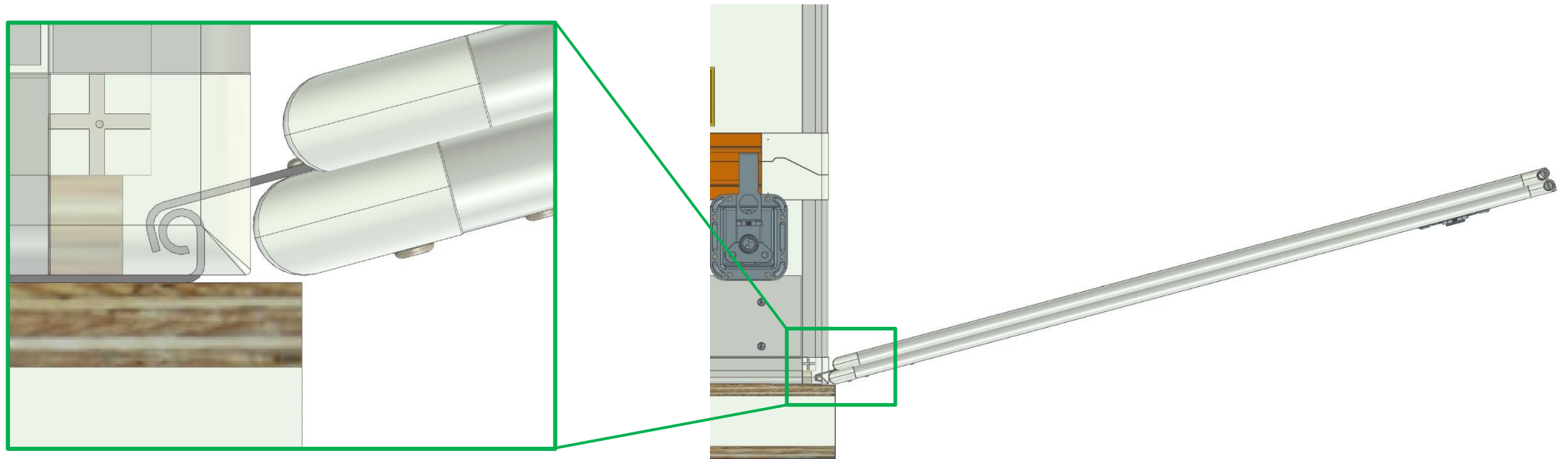


RACKPAK HOOD HANDLING INSTRUCTIONS



HOOD PLACEMENT

Hook the folded front panel into the metal profile at the front edge of the base.

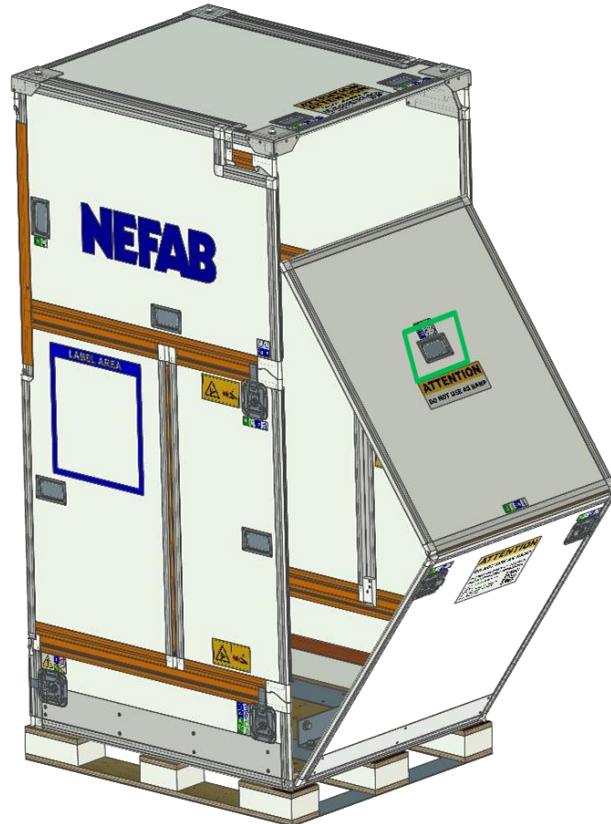


RACKPAK HOOD HANDLING INSTRUCTIONS

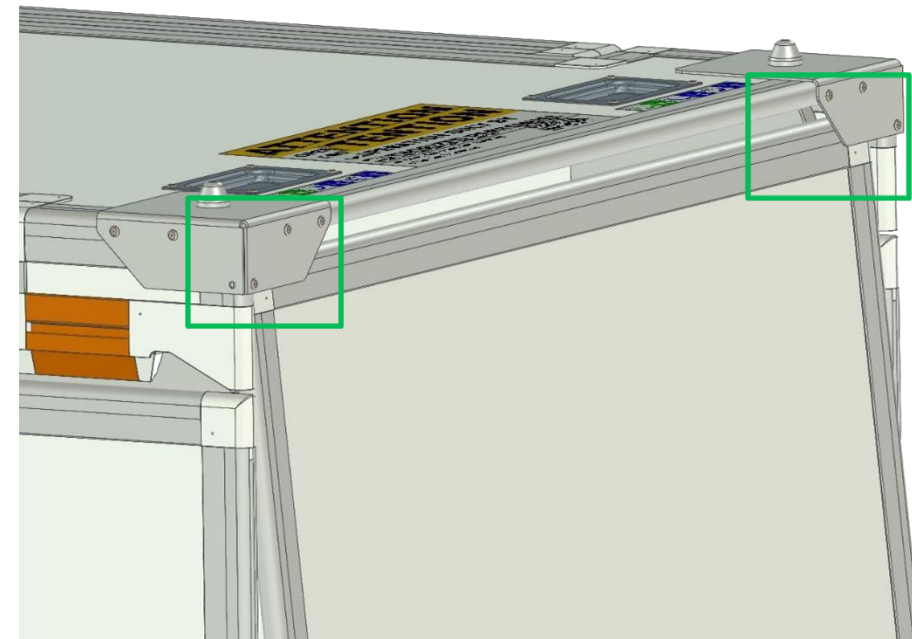


HOOD PLACEMENT

Using the handle, raise the front door.



Slide the top corners behind the metal flanges in the upper corners.



RACKPAK HOOD HANDLING INSTRUCTIONS



HOOD PLACEMENT

Close both latches to secure the front door.

Finished.

