

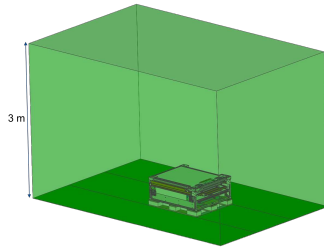


## SAFETY INSTRUCTIONS



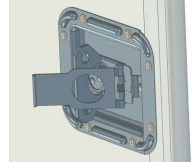
Two people needed  
Safety shoes needed  
No tools needed

## SAFETY INSTRUCTIONS



Needed space:  
1.5 m in front, 2.0 m behind,  
1.0 m on both sides,  
3.0 m ceiling height

## SAFETY INSTRUCTIONS



Fully fold back opened latches

## SAFETY INSTRUCTIONS



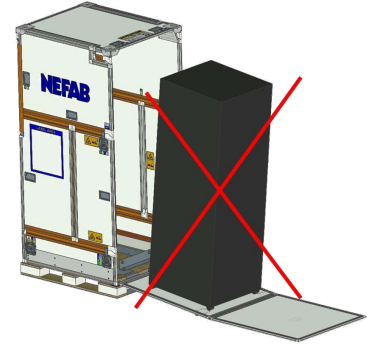
Use handles where available

## SAFETY INSTRUCTIONS



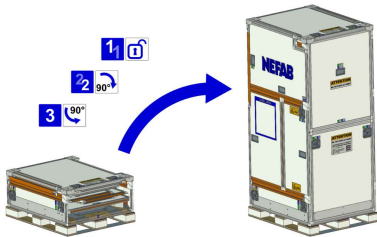
Careful not to pinch hands

## SAFETY INSTRUCTIONS



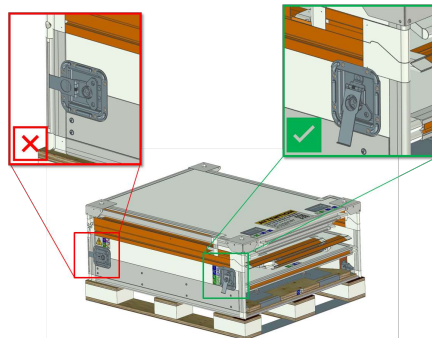
Never use front door as ramp!

## SAFETY INSTRUCTIONS



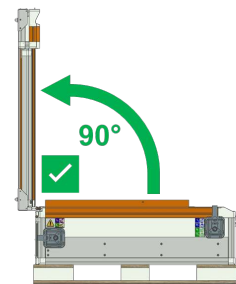
Follow **BLUE** labels to set up

## SETUP STEP 1



Open lower front latch.  
Do NOT open rear latch.

## SETUP STEP 2



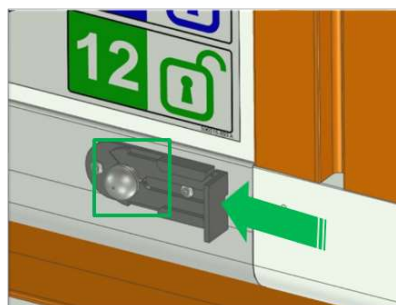
Open lid to 90 degrees.

## SETUP STEP 3



Open first upper side panel 90 degrees

## SETUP STEP 4



Lock panel with slide latch

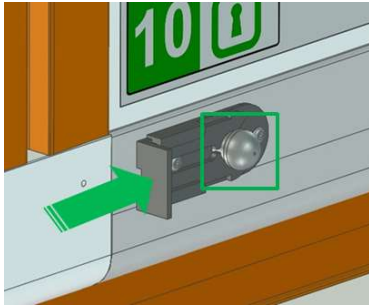
## SETUP STEP 5



Open second upper side panel 90 degrees

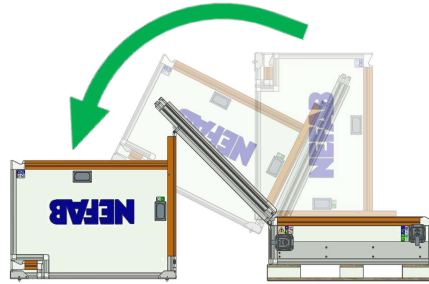


## SETUP STEP 6



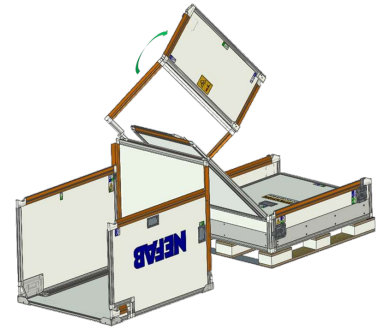
Lock second panel with slide latch

## SETUP STEP 7



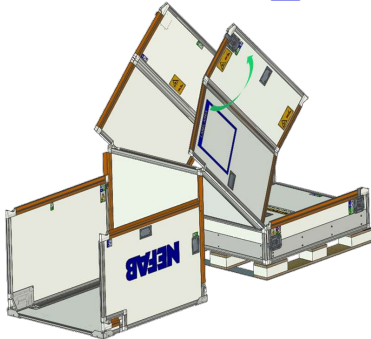
Pull top hood backwards so it rests on floor behind base

## SETUP STEP 8



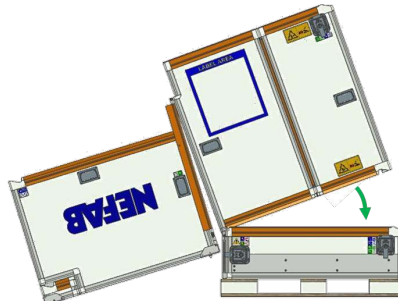
Open first lower side panel and hold in place

## SETUP STEP 9



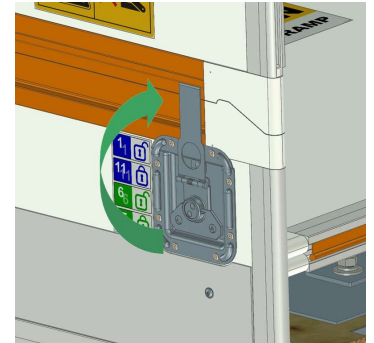
Open second lower side panel and hold in place

## SETUP STEP 10



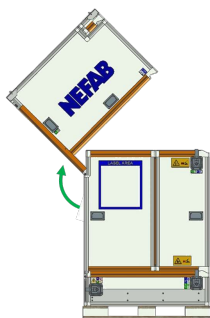
Rotate panels downwards into base profiles

## SETUP STEP 11



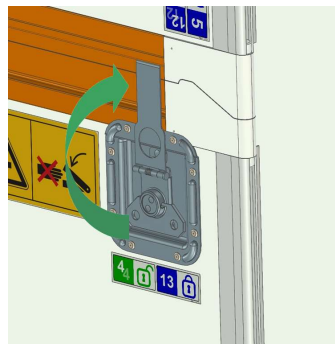
Close both lower front latches

## SETUP STEP 12



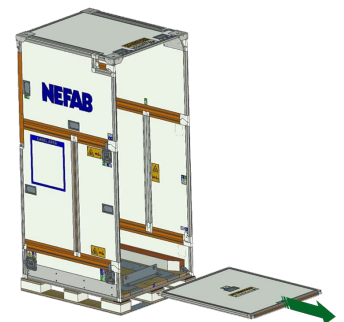
Swing up the top hood and place it on bottom section

## SETUP STEP 13



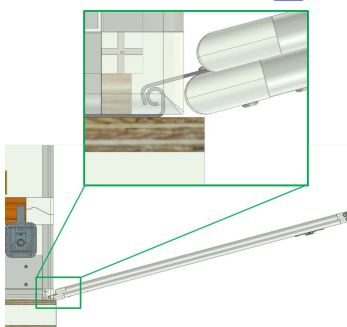
Close both upper front latches

## SETUP STEP 14



Pull folded front panel from base

## SETUP STEP 15



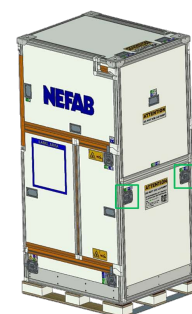
Hook front panel into base

## SETUP STEP 16



Open front panel and slide into place

## SETUP STEP 17



Close both front latches.  
FINISHED